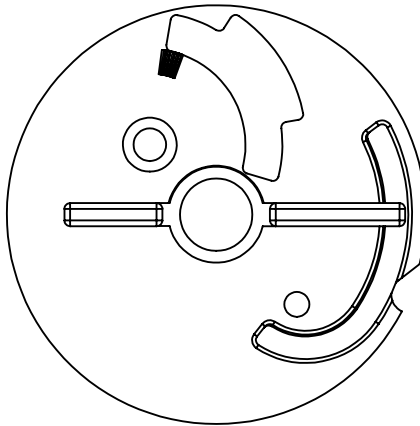
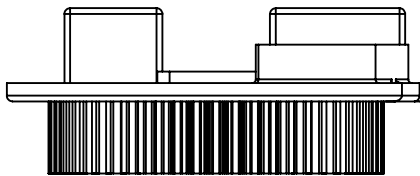
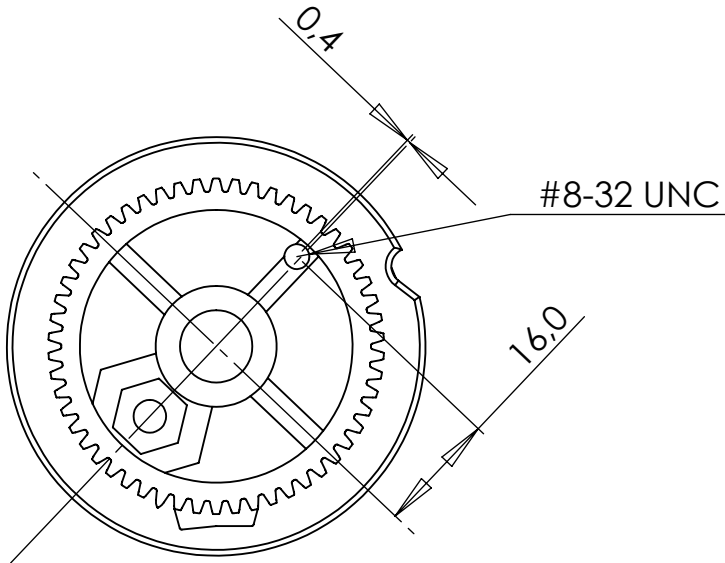


REVISIONS				
ECO	Rev.	Description	Date	Approved
	1	Change the side of the dimension 0,4mm	03/01/2006	LD
	B	BU13168 WAS 13168	06/01/2009	LD



MAKE FROM THE BU13168


1. DO NOT SCALE DRAWING
DIMENSIONS = MM (inch)

2. TOLERANCES
(UNLESS OTHERWISE SPECIFIED)

MM	INCH	
1	±0.25	±0.015
0.1	±0.13	±0.010
0.01	±0.05	±0.005

FRACTIONS 1/64
ANGULAR 1°
BREAK ALL EXPOSED SHARP
CORNERS .010 .25 X 45° MAX.

THIRD ANGLE
PROJECTION



□ DENOTES CRITICAL DIMENSION
△ DENOTES REVISION



Pentair Water France
BP 213
140, Av Rolland Garros
78532 Buc cedex

Material		SEE ABOVE				Title		BRINE CAM	
Drawn	CHT	Date	21/04/05	Scale	1:1	Sheet	1/1	Filename	13168-01
Approved	LD	Date	21/04/05	Size	A4	Part #	13168-01	Dwg #	13168-01