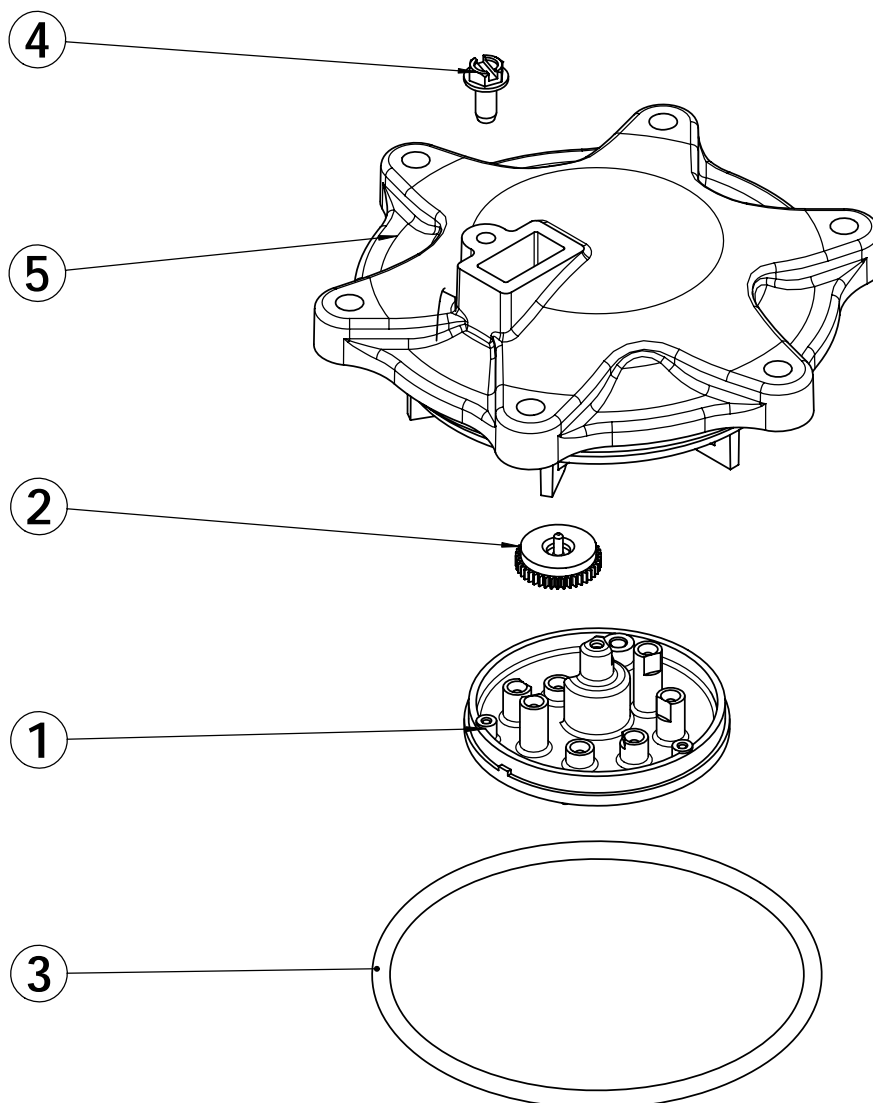


REVISIONS				
ECN	Rev.	Description	Date (dd/mm/yy)	Approved
F4529	D	BR14715 was 14715	16/10/07	LD



ITEM	QTY	PART NO.	DESCRIPTION	NOM
1	1	13823	METER INTERMEDIATE PLATE	PLATEAU
2	1	BR14715	GEAR ASSY,ELECTRONIC METER CAP	ROUE MAGNETIQUE
3	1	15707	O-RING, -236	JOINT TORIQUE
4	1	17798	SCREW, HEX WASHER HEAD, #8-16 X .38	VIS
5	1	BR19074	CAP, METER, 3" PLASTIC	COUVERCLE DE COMPTEUR 3"



240 M3 ELECTRONIC METER COVER ASSY

14716-01
Chap.14