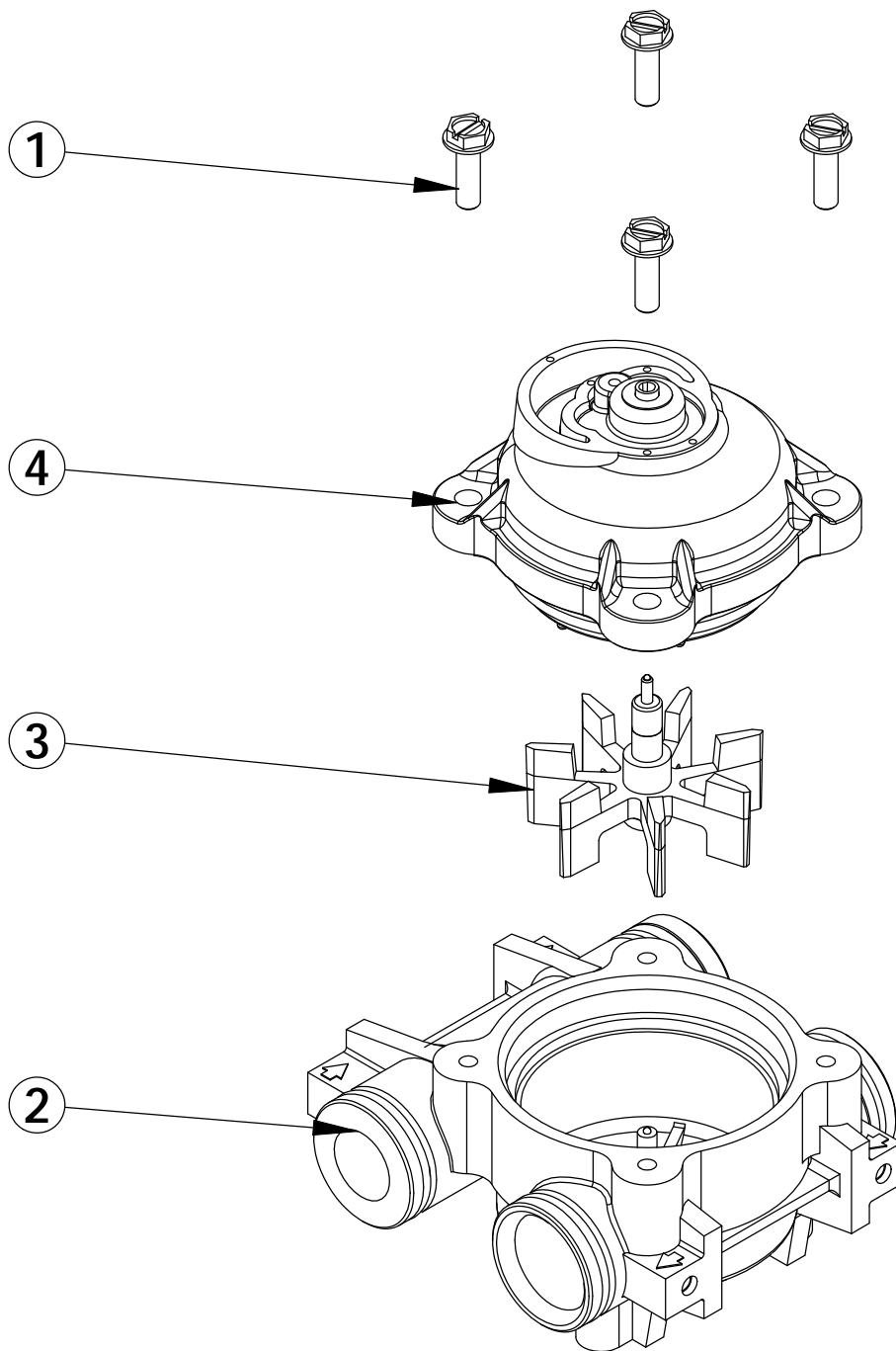


REVISIONS				
ECN	Rev.	Description	Date (dd/mm/yy)	Approved
	C	BR14038 WAS 14038	11/10/07	LD
	D	BR13509 was 13509	11/05/2009	LD



ITEM	PART NO	QTY	DESCRIPTION
1	12473	4	SCREW 10-24 X 5/8
2	18923	1	3/8" METER BODY Without ANTI-BACKFLOW ASSY
3	BR13509	1	IMPELLER, METER
4	BR14038	1	METER CAP ASSY, STD,PLAS



METER 3/8" 3.2 m3 WITHOUT ANTIBACK FLOW ASSY 5600/9000

18142