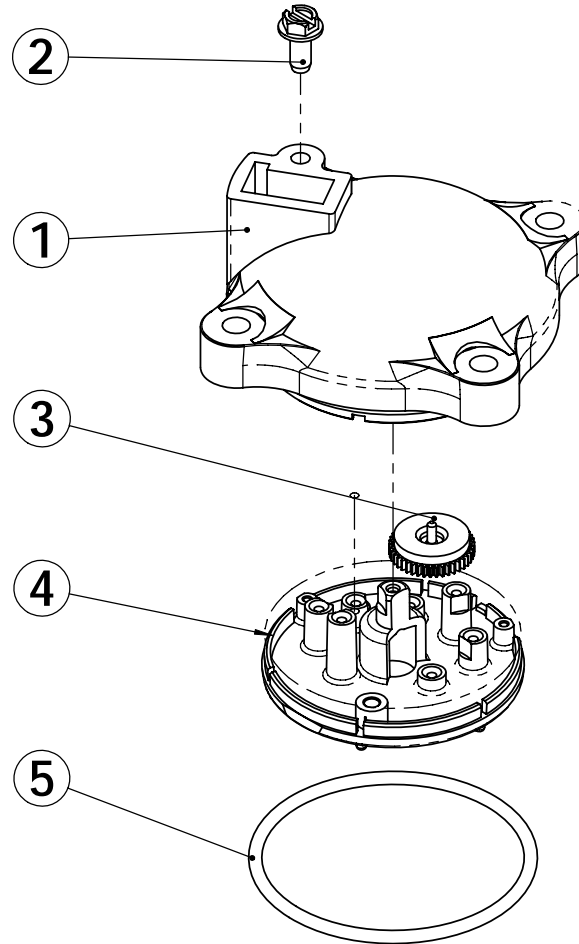


REVISIONS				
ECN	Rev.	Description	Date (dd/mm/yy)	Approved
F4529	H	BR14715 was 13877 and 14755	16/10/07	LD
	J	BR41055 was 13823	17/10/2007	LD
F4699	K	BR17798 was 17798	28/03/2008	MAN/LD



ITEM	QTY	PART NO.	DESCRIPTION	NOM
1	1	13874	MICRO-P METER CAP	COUVERCLE COMPTEUR MICRO-P
2	1	BR17798	SCREW, HEX WASHER HEAD, #8-16 X .38	VIS
3	1	BR14715	GEAR ASSY,ELECTRONIC METER CAP	ROUE MAGNETIQUE
4	1	BR41055	PLATE,INTERMEDIATE	PLATEAU
5	1	BU13847	O-RING 52,07 x 2,62	JOINT TORIQUE 52,07 x 2,62



**METER COVER BOX ASSY MICRO-P**

**18330**

Chap.14