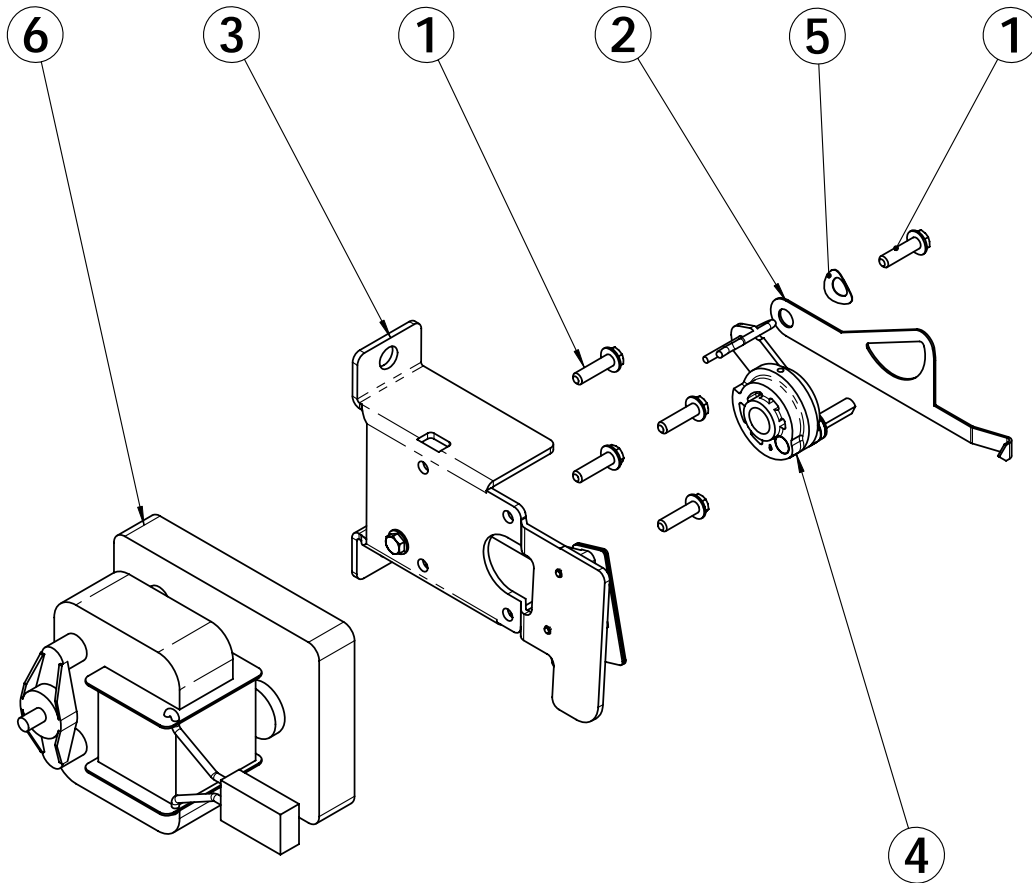


REVISIONS				
ECN	Rev.	Description	Date (dd/mm/yy)	Approved
	K	BR18727 was 18727	30/01/08	LD



ITEM	PN	DESCRIPTION	18357-01 QTY	18357-02 QTY	18357-03 QTY
1	10872	SCREW	5	5	5
2	18725	INDICATOR, SERVICE / STB-BY	1	1	1
3	27882	ADAPTOR MOTOR BRACKET ASSY & SPACER	1	1	1
4	28164	ADAPTOR DRIVE CAM ASSY	1	1	1
5	BR18727	WASHER,CURVED SPRING, .265 I.D.	1	1	1
6	40388	DRIVE MOTOR 24v 50 Hz	1	-	-
6	40387	DRIVE MOTOR 110v 50/60 Hz	-	1	-
6	40389	DRIVE MOTOR 230v 50 Hz	-	-	1



24v MOTOR ASSY FOR ADAPTOR 2910 ECO / CHRONO

18357-XX

Chap.08