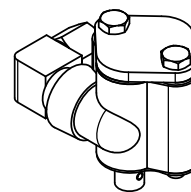
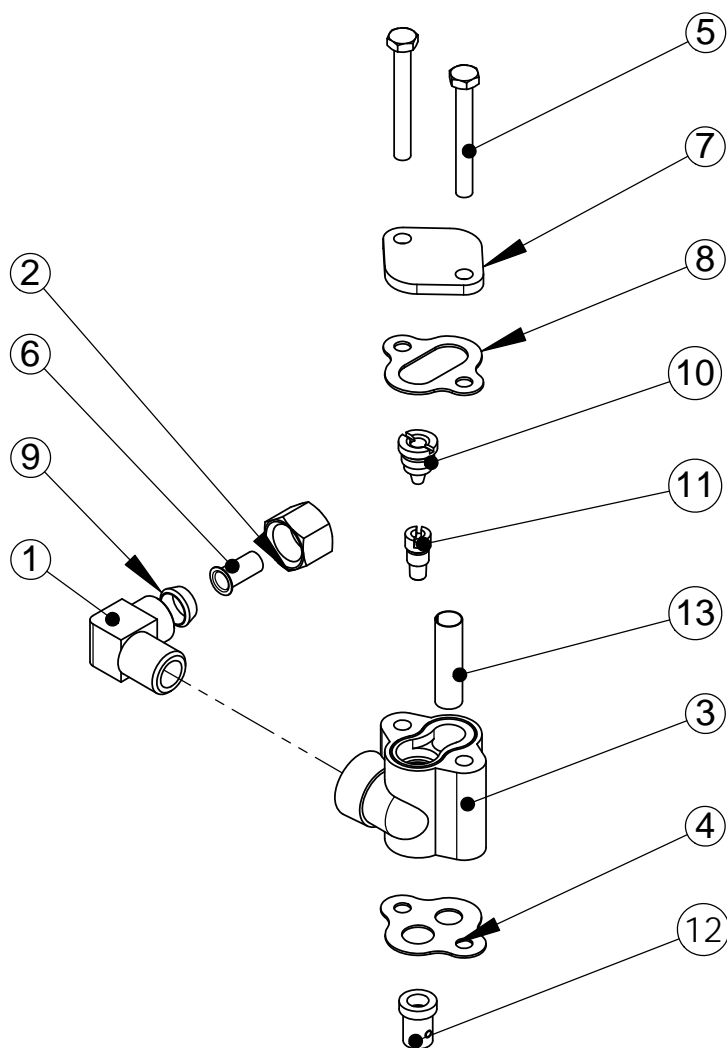


REVISIONS				
ECN	Rev.	Description	Date (dd/mm/yy)	Approved
	F	BU10229 WAS BR10229	24/01/08	LD
	G	BR10332 WAS 10332	04/04/2008	LD
	H	Added 16221	28/11/2012	CHT



INJECTOR	SIZE	NOZZLE	THROAT
24199-000	000	10913-000	10914-000
24199-00	00	10913-00	10914-00
24199-0	0	10913-0	10914-0
24199-1	1	10913-1	10914-1
24199-2	2	10913-2	10914-2
24199-3	3	10913-3	10914-3

Table de nomenclature

ITEM	PART NO	DESCRIPTION	24199-000	24199-00	24199-0	24199-1	24199-2	24199-3
1	10328	3/8" x 1/4" x 90° ELBOW	1	1	1	1	1	1
2	10329	3/8" NUT	1	1	1	1	1	1
3	17776	INJECTOR BODY 1600	1	1	1	1	1	1
4	23304	GASKET INJECTOR BODY	1	1	1	1	1	1
5	23476	SCREW	2	2	2	2	2	2
6	BR10332	FITTING,INSERT,3/8	1	1	1	1	1	1
7	BR11893	INJECTOR COVER	1	1	1	1	1	1
8	BU10229	GASKET INJECTOR BODY	1	1	1	1	1	1
9	BU10330	SLEEVE (3/8" TUBE)	1	1	1	1	1	1
10	BU10913-XX	INJECTOR NOZZLE (SPECIFY SIZE)	-	-	-	-	-	-
10	BU10913-00	INJECTOR NOZZLE N° 00 -VIOLET	-	1	-	-	-	-
10	BU10913-0	INJECTOR NOZZLE N° 0 - RED	-	-	1	-	-	-
10	BU10913-1	INJECTOR NOZZLE N° 1 - WHITE	-	-	-	1	-	-
10	BU10913-2	INJECTOR NOZZLE N° 2 - BLUE	-	-	-	-	1	-
10	BU10913-3	INJECTOR NOZZLE N° 3 - YELLOW	-	-	-	-	-	1
11	BU10914-000	# 000 INJECTOR THROAT, BROWN	1	-	-	-	-	-
11	BU10914-00	# 00 INJECTOR THROAT, VIOLET	-	1	-	-	-	-
11	BU10914-0	# 0 INJECTOR THROAT, RED	-	-	1	-	-	-
11	BU10914-1	# 1 INJECTOR THROAT , NATURAL	-	-	-	1	-	-
11	BU10914-2	#2 INJECTOR THROAT , BLUE	-	-	-	-	1	-
11	BU10914-3	#3 INJECTOR THROAT , YELLOW	-	-	-	-	-	1
12	16221	AIR DISPERSER ASSY	1	1	1	1	1	1
13	BR10227	SCREEN, INJECTOR	1	1	1	1	1	1



INJECTOR ASSY, 1600, 2510/2750/2870/2900, SPECIFY SIZE

24199-XX
CHAP. 13