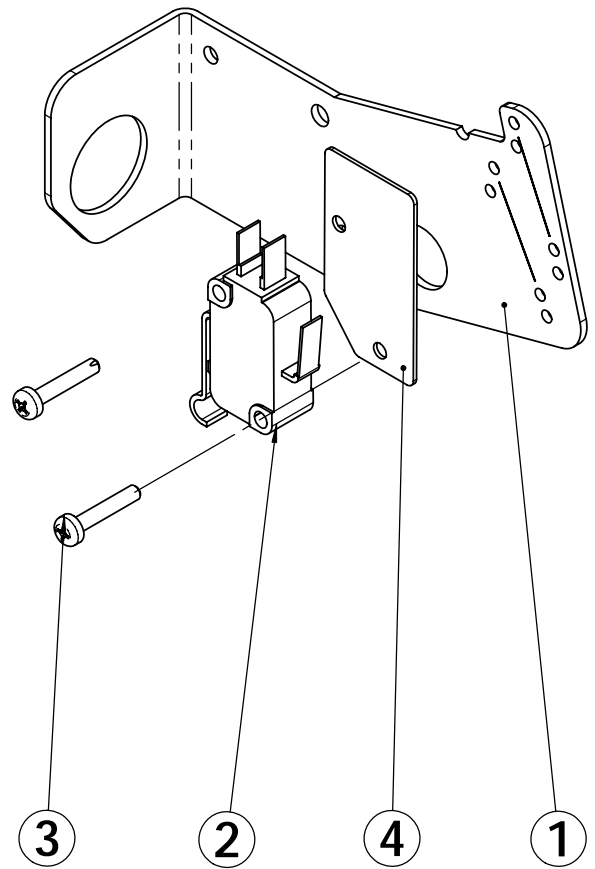


MOUNTING NOTICE PM 08



MOUNTING NOTICE PM 09

**OBSOLETE ECO F5278**  
was SAV .. SEE 28406 -> SEE 27204-XX

ITEM	QTY	PART NO.	DESCRIPTION	NOM
1	1	11826-02	BRACKET, MOTOR, AUX SWITCH	PLATINE MOTEUR
2	1	10896	MICROSWITCH	MICROSWITCH
3	2	BR11805	SCREW TC N°4-40 UNC 2A	VIS TC N°4-40 UNC 2A
4	1	BR10302	INSULATOR, LIMIT SWITCH	ISOLATEUR



**MOTOR BRACKET ASSY 2750/2850/2900**

**24215**  
Chap-16