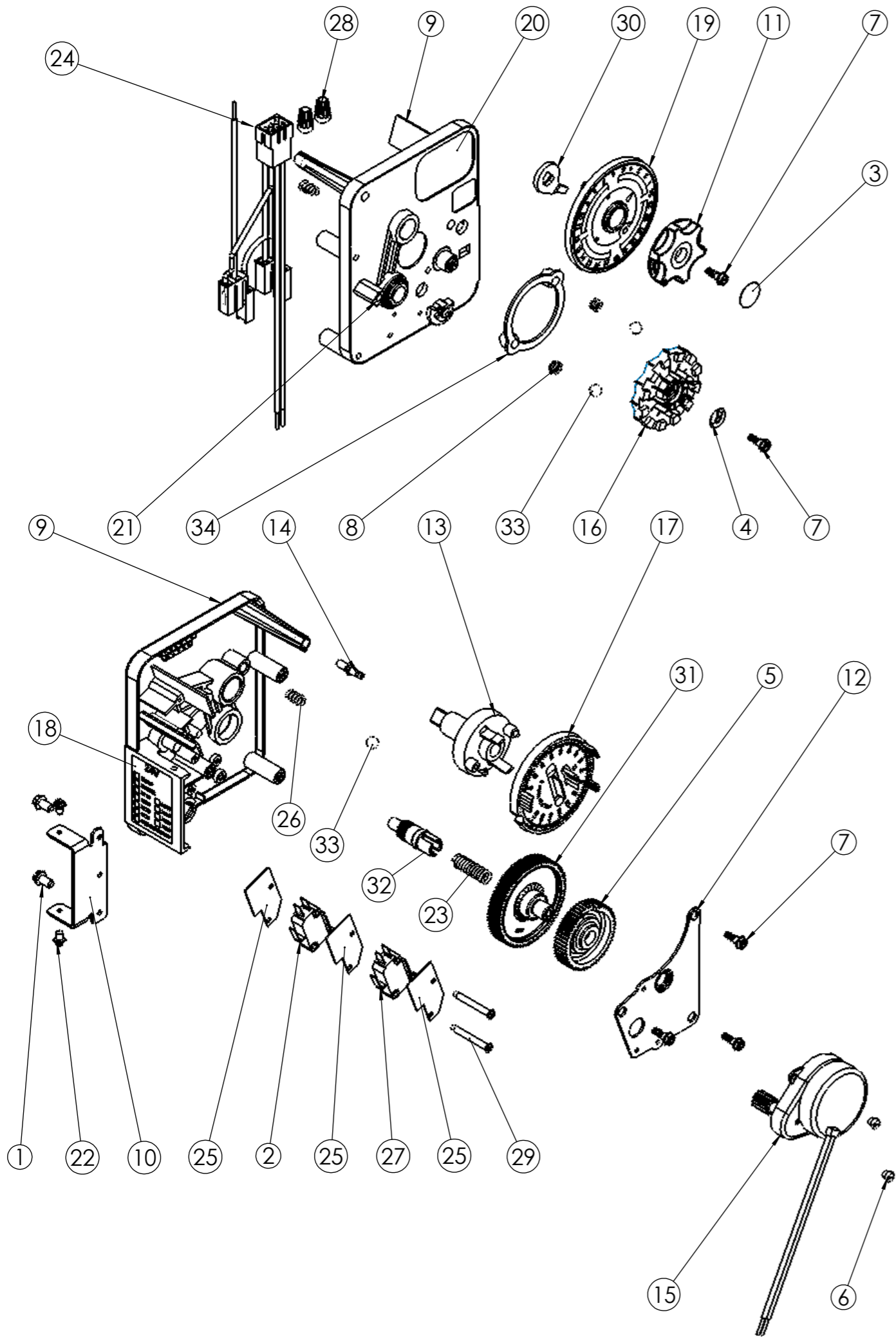


VOIR LE S/E :
VCTIMER



ITEM	QTY	PART NO.	DESCRIPTION	NOM
1	2	10300	SCREW, SLOT HEX WSH, 8-18 X 3/8	VIS
2	1	10896	MICROSWITCH	MICROSWITCH
3	1	11999	LABEL BUTTON	CACHE BOUTON
4	1	13014	REGENERATION POINTER	DOIGT DE REGENERATION
5	1	13164	GEAR, DRIVE	ROUE D'ENTRAINEMENT
6	2	13278	SCREW MOTOR MOUNTING	VIS
7	5	13296	SCREW #6-20 * 0.50 long	Vis
8	2	13311	IDLER SHAFT SPRING	RESSORT
9	1	13870	HOUSING, TIMER, 3200	BOITIER DE TIMER
10	1	13881	HINGE BRACKETMODEL 3200 ET	HINGE BRACKETMODEL 3200 ET
11	1	13886	KNOB 3200 TIMER	BOUTON
12	1	13887	PLATE, MOTOR MOUNTING	PLAQUE DE MONTAGE
13	1	13911	MAIN DRIVE GEAR	PIGNON PRINCIPAL
14	1	14265	SPRING CLIP	CLIP
15	1	18826	MOTOR, 24V-50HZ 1/30 RPM	MOTEUR, 24V-50HZ 1/30 RPM
16	1	24100	SKIPPER WHEEL 12 DAYS ASSY	ROUE ASSEMBLEE 12 JOURS
17	1	24200	PROGRAM WHEEL ASSY FOR TIMERS 3200	ROUE DE PRG. DES CYLES TIMER 3200
18	1	24388	LABEL 24V	ETIQUETTE 24V
19	1	24521	24 HOURS GEAR ASSY FOR TIMER 3200/3210	ROUE 24 HEURES ASSEMBLEE
20	1	26846	INSTRUCTION LABEL	ETIQUETTE
21	1	26870	LABEL PICTOGRAM	ETIQUETTE PICTOGRAMME
22	2	26885	SCREW	VIS
23	1	BR13312	IDLER SHAFT SPRING	RESSORT
24	1	BR13902	WIRE HARNESS TIMER 3220 IMMEDIAT	FAISCEAU TIMER 3220 IMMEDIATE
25	3	BR14087	INSULATOR	ISOLATEUR
26	1	BR14457	SPRING,DETENT	RESSORT
27	1	BR15320	MICROSWITCH	MICROSWITCH
28	2	BR40422	WIRE NUT	CONNECTEUR
29	2	BU11413	SCREW 2.9x32	VIS
30	1	BU13011	CYCLE ACTUATOR ARM	DOIGT DE DECLENCHEMENT
31	1	BU13017	IDLER GEAR	PIGNON
32	1	BU13018	IDLER SHAFT	PIGNON
33	3	BU13300	BALL 1/4"	BILLE 1/4"
34	1	BU13864	SKIPPER WHEEL RING	ANNEAU ROUE SAUTEUSE



TIMER 3200 12 DAYS ASSY

24219
CHAP.24