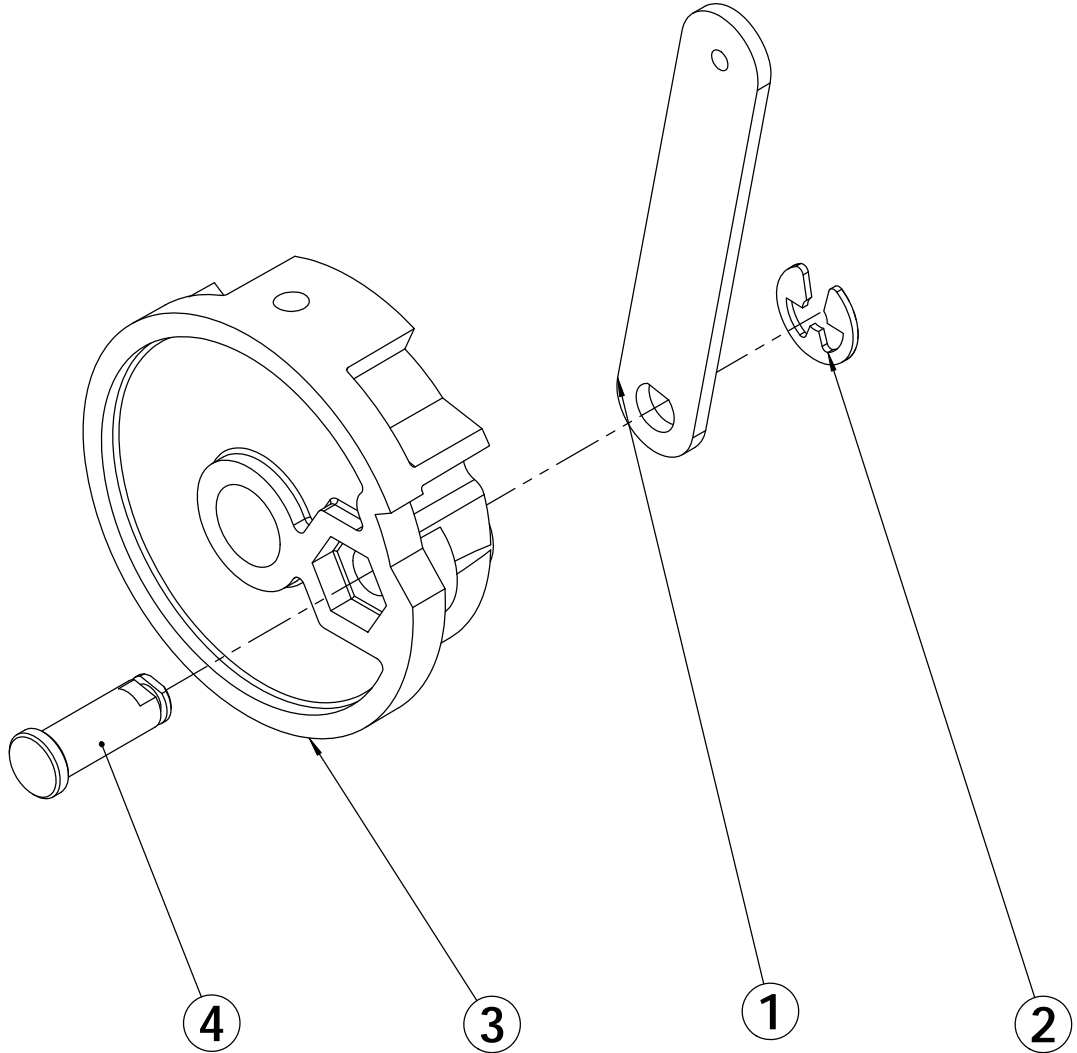


REVISIONS				
ECN	Rev.	Description	Date (dd/mm/yy)	Approved
	E	2510/2750/2850 was 2910	8/12/08	LD



ITEM	PART NO.	QTY	DESCRIPTION
1	10621	1	CONNECTING ROD 2500
2	BR10250	1	RING, RETAINING
3	BR12576-02	1	DRIVE CAM, SEPARATE TIME FILL
4	BR13366	1	BEARING, CONNECTING ROD



DRIVE CAM S.T.F ASSY 2510, 2750,2850

24267-02