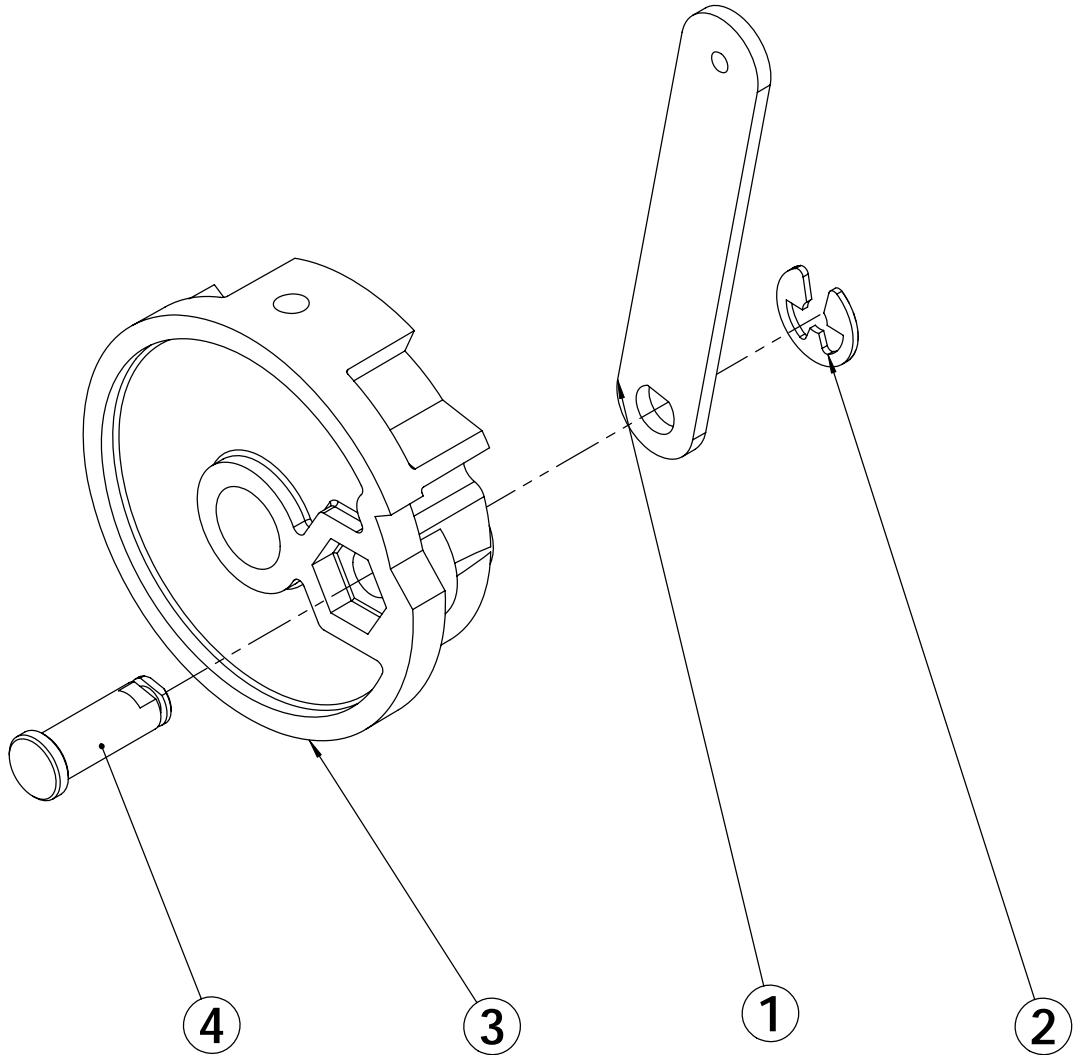


REVISIONS				
ECN	Rev.	Description	Date (dd/mm/yy)	Approved
	E	2510/2750/2850 was 2910	8/12/08	LD



ITEM	QTY	PART NO.	DESCRIPTION	NOM
1	1	10621	CONNECTING ROD 2500	AXE DE LIAISON
2	1	BR10250	RING, RETAINING	CLIP DE RETENUE
3	1	BR12576-02	DRIVE CAM, SEPARATE TIME FILL	CAME D'ENTRAINEMENT
4	1	BR13366	BEARING, CONNECTING ROD	AXE



DRIVE CAM S.T.F ASSY 2510, 2750,2850

24267-02
CHAP. 05