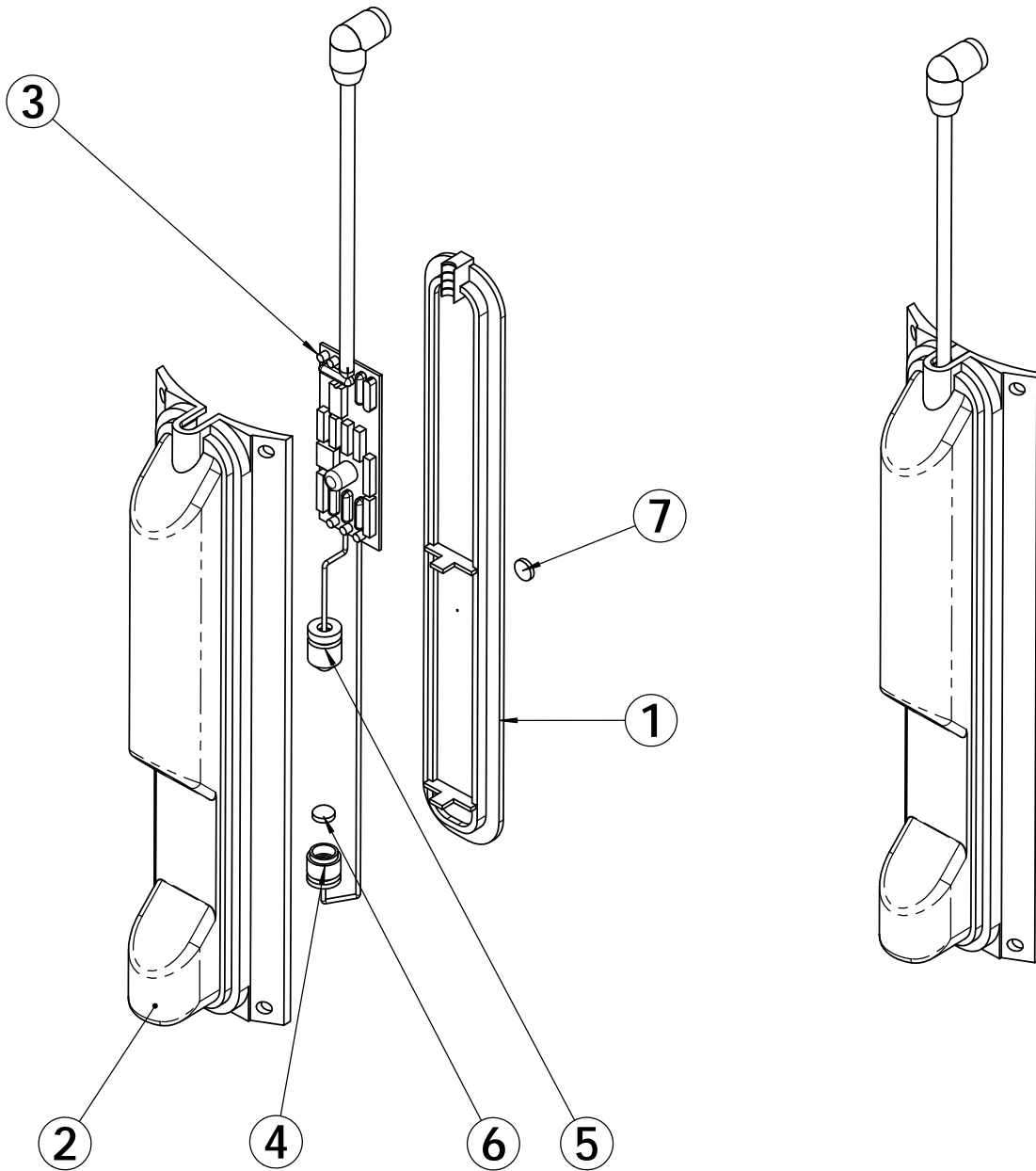


OBSOLETE SEE F5608



02/11/00
rev 05



ENSEMBLE INDISSOCIABLE UNDISSOCIABLE ASSEMBLY

ITEM	QTY	PART NO.	DESCRIPTION	NOM
1	1	24297	BOX COVER SALT ALARM	COUVERCLE ALARME DE SEL
2	1	24296	SALT ALARM HOUSING	CORPS DE L'ALARME DE SEL
3	1	17763	CIRCUIT BOARD AND PLUG ASSY	CARTE ELECTRONIQUE
4	1	17818	CARTRIDGE , DIODE	DOUILLE DE DIODE
5	1	17817	CARTRIDGE, DIODE	DOUILLE DE DIODE
6	1	17807	LENS SALT ALARME ACRYLIC	LOUPE
7	1	19273	DISK SALT ALARM COVER	RONDELLE



SALT ALARM ASSY

24400

Chap-02