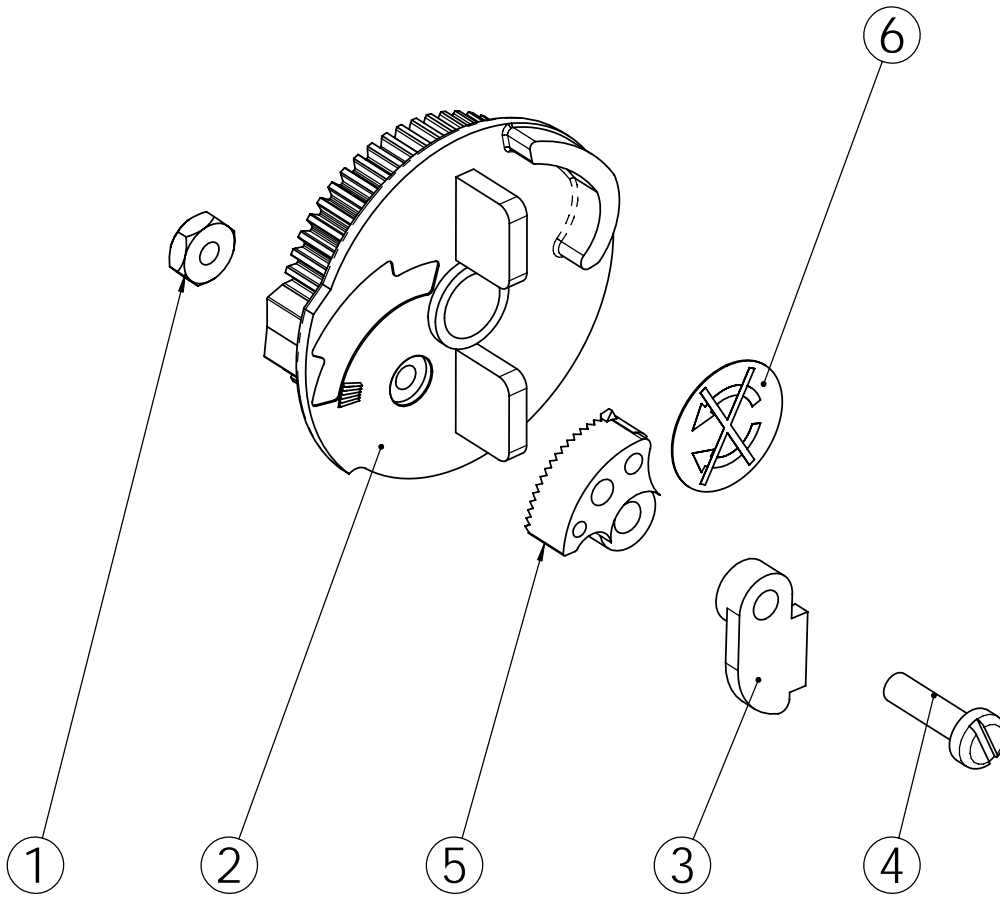


REVISIONS				
ECN	Rev.	Description	Date (dd/mm/yy)	Approved
F5381	D	BU11980 replace BR15571 (Use To Depletion)	02/09/2011	MAN



ITEM	PN	QTY	DESCRIPTION
1	11081	1	NUT
2	15563	1	BRINE VALVE DRIVE CAM
3	15572	1	SWITCH CAM
4	BU11980	1	SCREW
5	BR41123	1	SEGMENT, BRINE VALVE CAM
6	26843	1	BRINE CAM LABEL



BRINE CAM UP FLOW ASSY 5650

24503