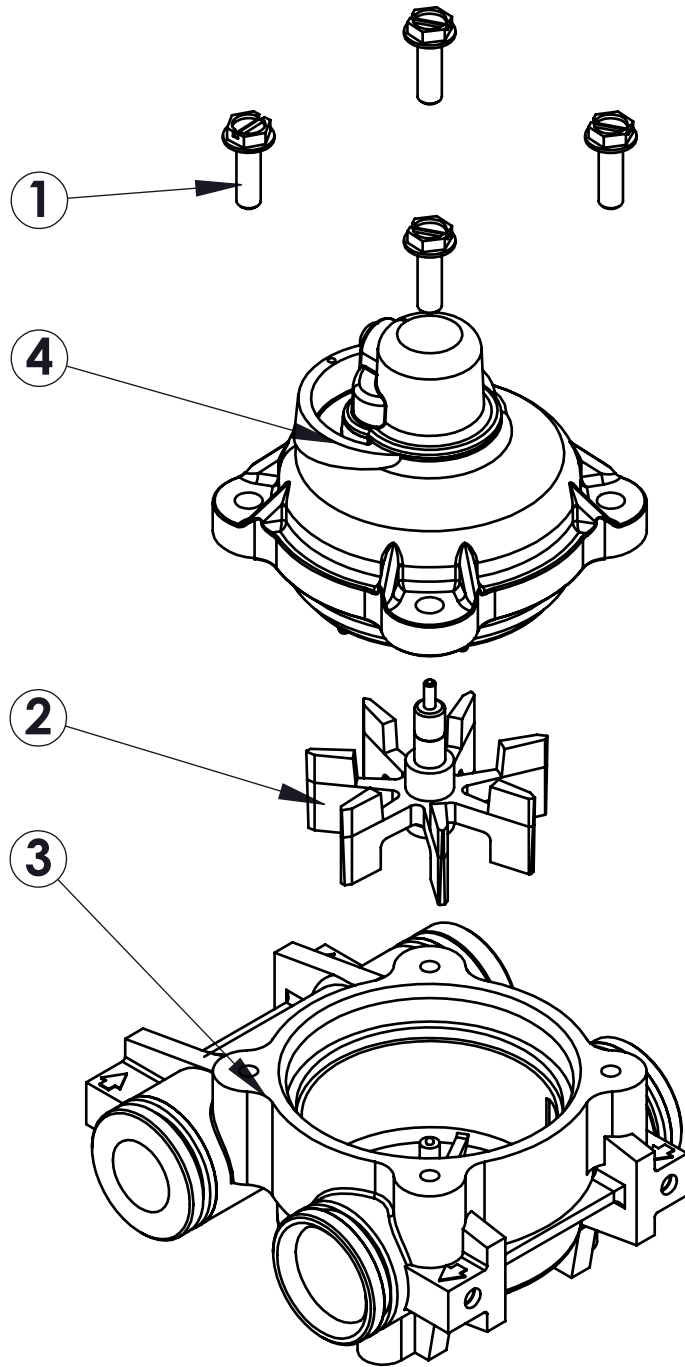


REVISIONS				
ECN	Rev.	Description	Date (dd/mm/yy)	Approved
	F	BR15452 WAS 15452	11/10/07	LD



ITEM	QTY	PART NO.	DESCRIPTION	NOM
1	4	12473	SCREW 10-24 X 5/8	VIS 10-24 x 5/8
2	1	13509	IMPELLER	TURBINE
3	1	25079	METER BODY 3/4 ASSY WITH ANTI BACKFLOW	CORPS DE COMPTEUR 3/4" ASSEMBLE
4	1	BR15452	METER CAP ASSY, 3/4 TO 2",STD,RT ANG/90,PLAS,PDL	COUVERCLE DE COMPTEUR ASSEMBLE AVEC ANGLE DROIT



METER ASSY 8 m3 RIGHT ANGLE ANTIBACK FLOW ASSY 5600/9000

**24508**  
CHAP. 14