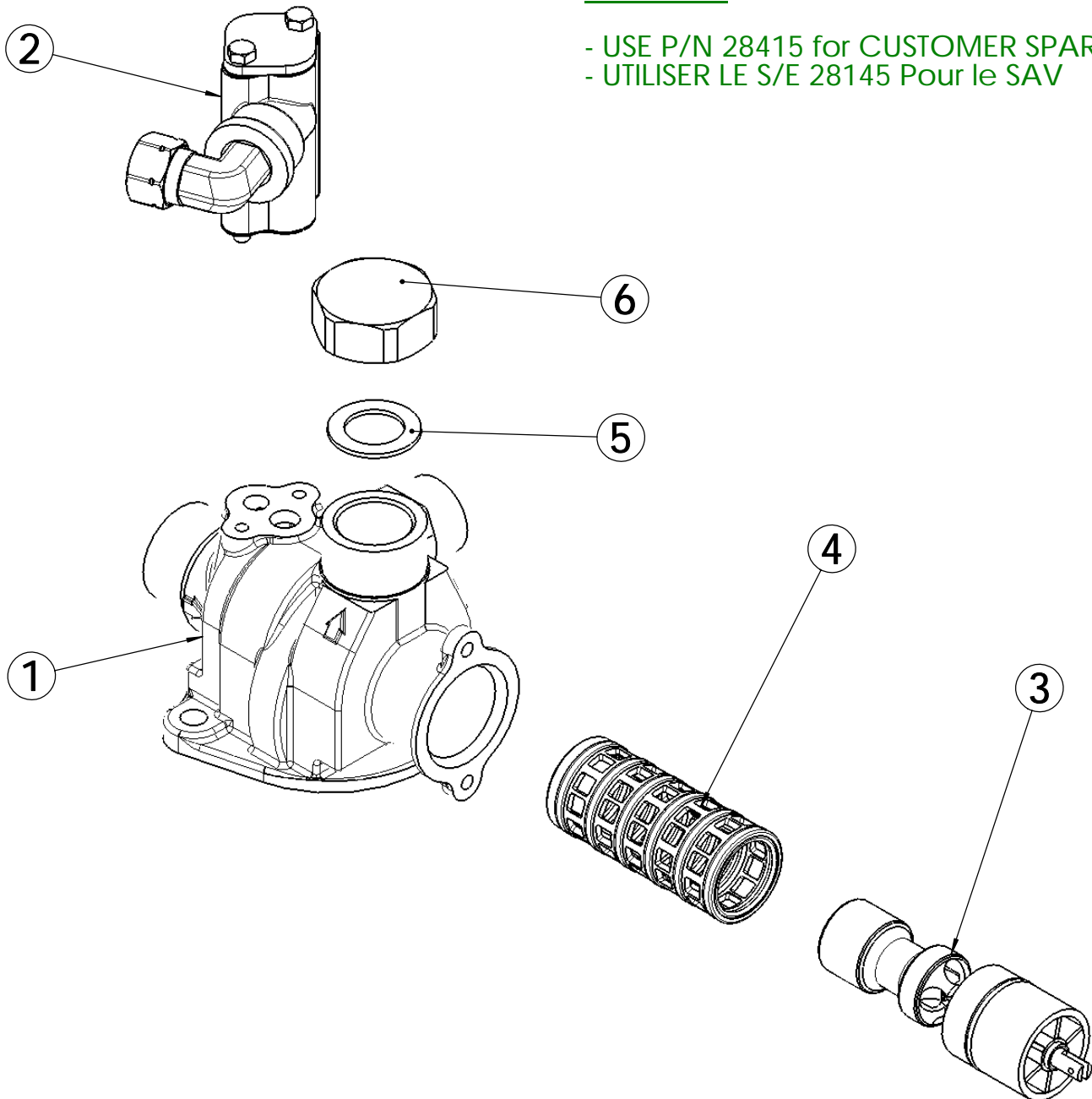


**ITEM #4 =**

- USE P/N 28415 for CUSTOMER SPARE PARTS
- UTILISER LE S/E 28145 Pour le SAV



**SPARE PARTS DEPARTEMENT ONLY  
 SERVICE APRES VENTE SEULEMENT**

ITEM	QTY	PART NO.	DESCRIPTION	NOM
1	1	14749	VALVE BODY 1"	CORPS DE VANNE 1"
2	1	24173-XX	INJECTOR ASSY, 1700/1710, 2750/2900/2910, SPECIFY SIZE	INJECTEUR ASSEMBLE 2750/2900/2910, PRECISER LA TAILLE
3	1	24067	PISTON ASSY 1550 - 2750 - 2900	PISTON ASSEMBLE 1550/2750/2900
4	1	24271	SEALS AND SPACERS KIT 1550/2750/2900	SEALS AND SPACERS KIT 1550/2750/2900
5	1	11206	FITTING GASKET	JOINT PLAT
6	1	23705	FEMALE PLUG	BOUCHON