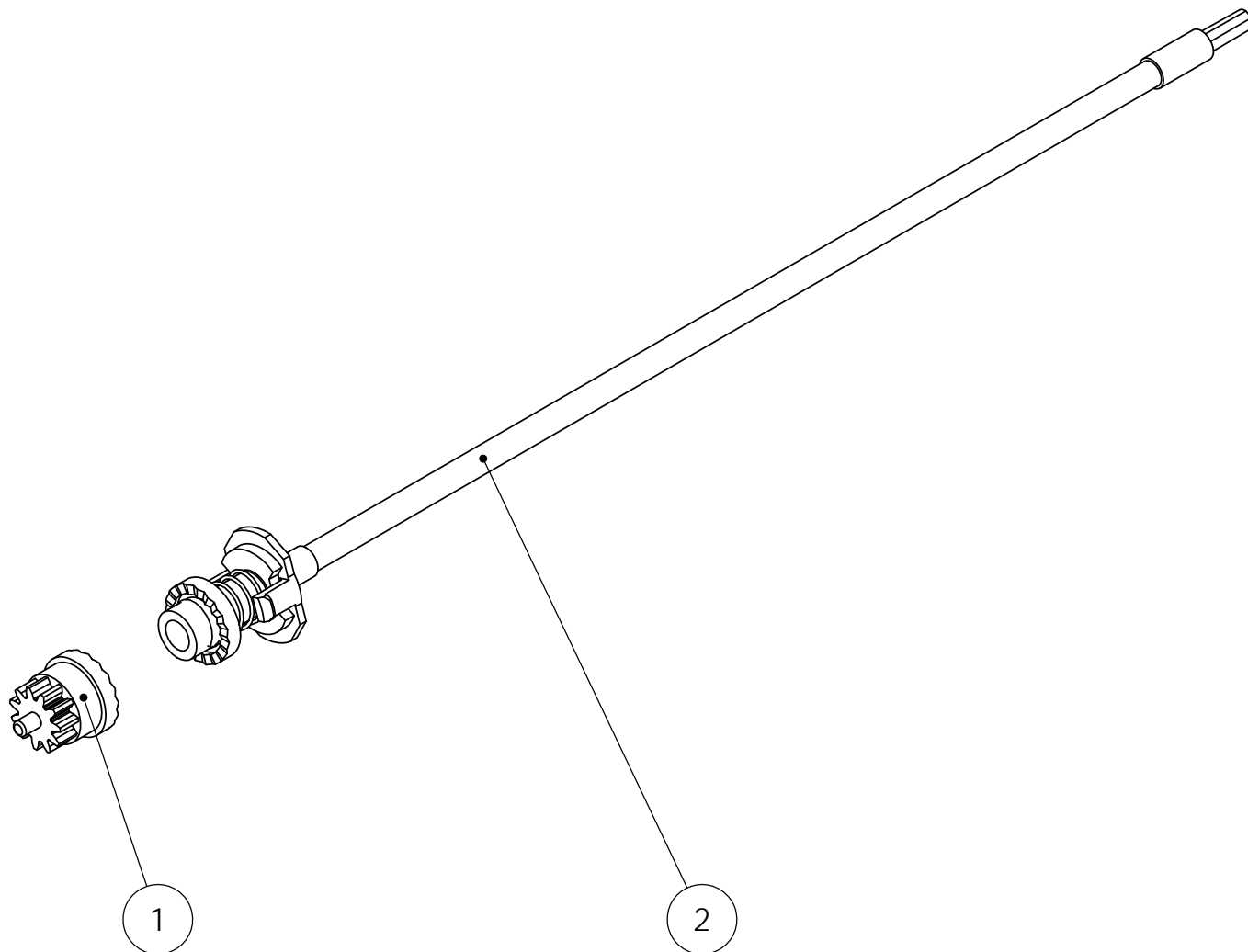


REVISIONS				
ECN	Rev.	Description	Date (dd/mm/yy)	Approved
	a			



ITEM NO.	PART NUMBER	DESCRIPTION	QTY.
1	BR13830	PROGRAM WHEEL, PINION DRIVE	1
2	27807	KIT FLEXIBLE 8 et 40 m3 ASSY	1



**KIT METER CABLE DELAYED**

**24544**