

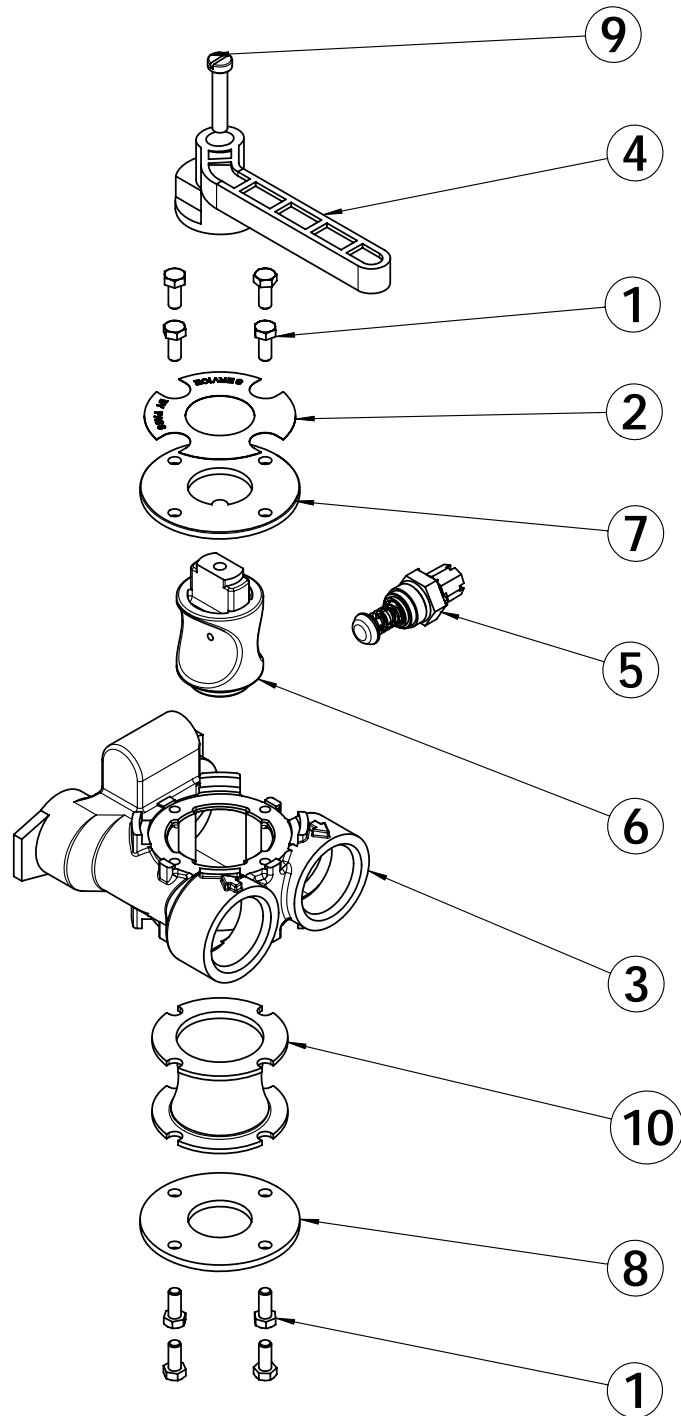
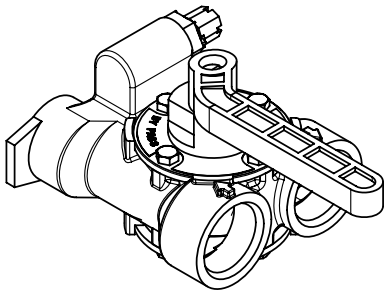
ITEM	QTY	PART NO.	DESCRIPTION	NOM
1	8	11737	SCREW	VIS
2	1	21134	LABEL BY-PASS	LABEL BY-PASS
3	1	24155	BY-PASS MIXING	BY-PASS MIXING
4	1	24419-10	BY PASS HAND - RED	POIGNEE BY-PASS ROUGE
5	1	24509-02	PROPORTIONAL MIXING ASSY (brass casting)	MITIGEUR PROPORTIONNEL ASSEMBLE (casting bronze)
6	1	BU11972	PLUG, BY PASS	BOUCHON BYPASS
7	1	BU11978	SIDE COVER BY PASS	PLAQUE
8	1	BU11986	SIDE COVER BY-PASS VALVE	COUVERCLE BY-PASS
9	1	BU28642	SCREW TC M6 x 30	VIS TC M6 x 30
10	1	BU14105	BY-PASS SEAL 560CD	JOINT DE BY-PASS



BY-PASS WITH MIXING ASSY (RED HAND)

**24734-10**

Chapitre 04



ITEM	QTY	PART NO.	DESCRIPTION	NOM
1	8	11737	SCREW	VIS
2	1	21134	LABEL BY-PASS	LABEL BY-PASS
3	1	24155	BY-PASS MIXING	BY-PASS MIXING
4	1	24419-20	BY PASS HAND - BLUE	POIGNEE BY-PASS BLEUE
5	1	24509-02	PROPORTIONAL MIXING ASSY (brass casting)	MITIGEUR PROPORTIONNEL ASSEMBLE (casting bronze)
6	1	BU11972	PLUG, BY PASS	BOUCHON BYPASS
7	1	BU11978	SIDE COVER BY PASS	PLAQUE
8	1	BU11986	SIDE COVER BY-PASS VALVE	COUVERCLE BY-PASS
9	1	BU28642	SCREW TC M6 x 30	VIS TC M6 x 30
10	1	BU14105	BY-PASS SEAL 560CD	JOINT DE BY-PASS