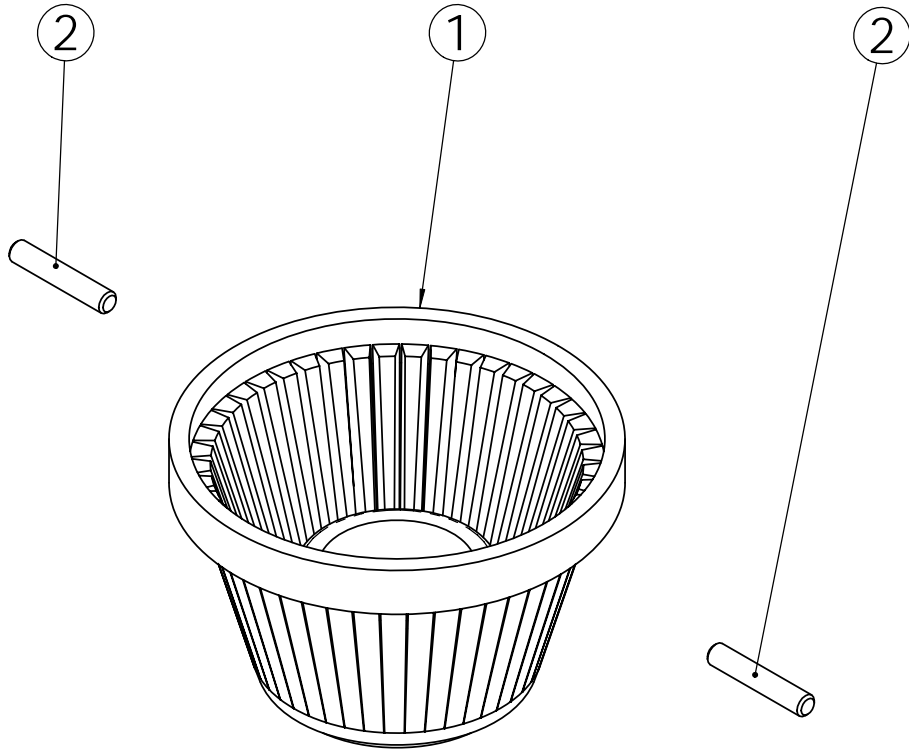


REVISIONS				
ECN	Rev.	Description	Date (dd/mm/yy)	Approved
	D	REDRAWN IN SOLIDWORKS - No Change -	3/03/08	LD
F4721	E	BU28619 was 25116+13693	28/04/2008	LD



ITEM	QTY	PART NO.	DESCRIPTION	NOM
1	1	BU28619	WELDED DISTRIBUTOR CAGE H.C and BUSHING,DISTRIBUTOR,3/4"	CREPINE HIGH CAPACITY 3/4" ASSEMBLEE
2	2	12044	PIN , TOP COLLECTOR	GOUPILLE



DISTRIBUTOR CAGE 3/4" HIGH CAPACITY ASSY

25330
Chap.18