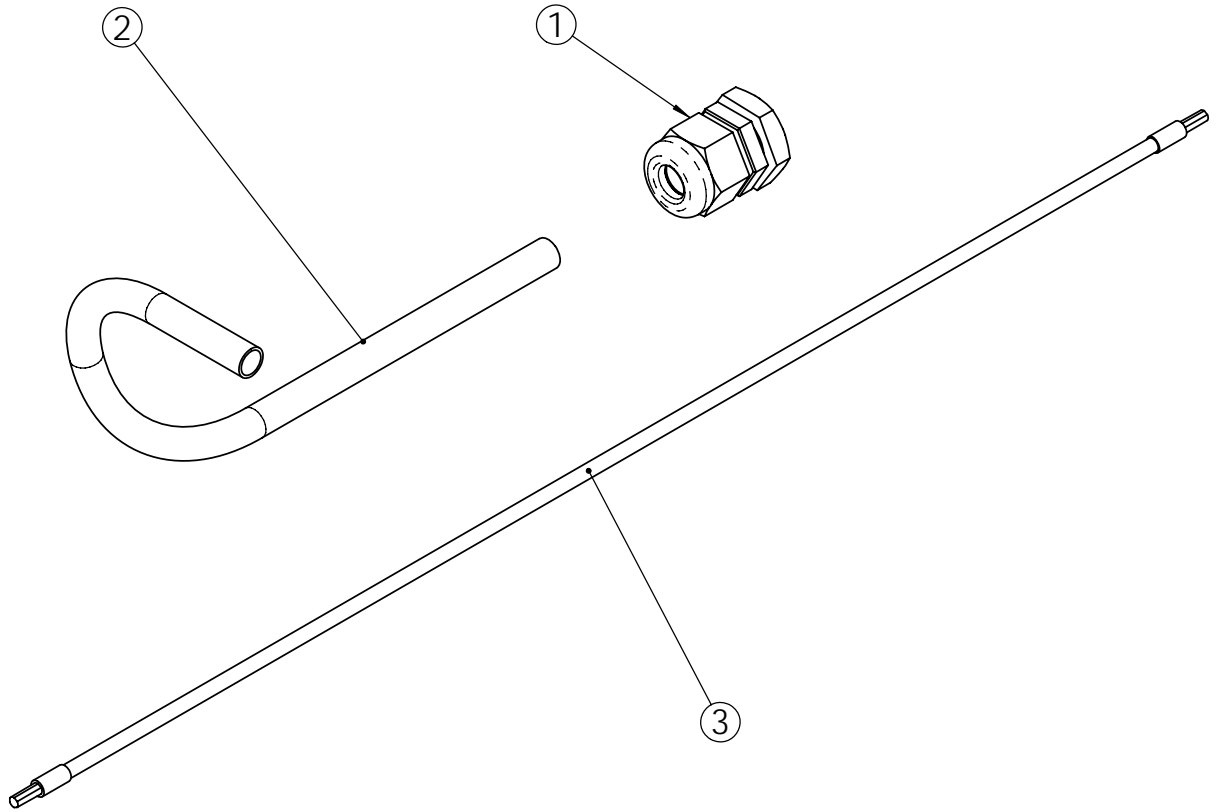


REVISIONS				
ECN	Rev.	Description	Date (dd/mm/yy)	Approved
F5281	D	REDRAWN ON SOLIDWORKS * BR17967 était 17967	18/11/10	MP



ITEM #2 : MADE WITH OUT182 TOOL

ITEM	P/N	QTY	DESCRIPTION
1	BR17967	1	FITTING ASSY, LIQUID TIGHT , BLK
2	23828	1	TUBE PVC
3	15513	1	METER FLEXIBLE ASSY



**GUIDE CABLE ASSY 2750 -1" METER**

**25349**