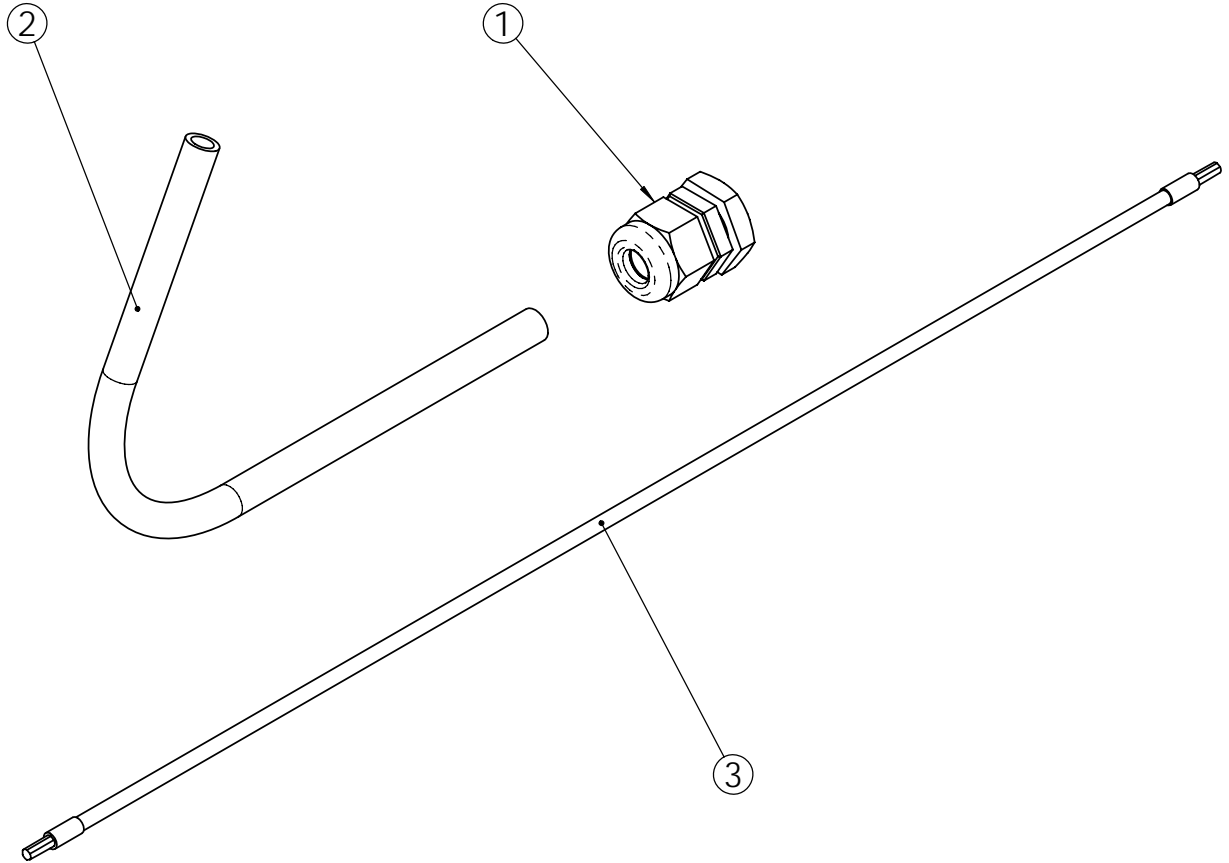


REVISIONS				
ECN	Rev.	Description	Date (dd/mm/yy)	Approved
F4438	D	BR17967 était 17967	19/09/07	MP
F5281	E	REDRAWN ON CAD	18/11/2010	MP



ITEM	P/N	QTY	DESCRIPTION
1	BR17967	1	FITTING ASSY, LIQUID TIGHT , BLK
2	BR17745	1	METER, GUIDE CABLE 1 1/2
3	15513	1	METER FLEXIBLE ASSY



GUIDE CABLE ASSY 3150 - 2" METER

25352