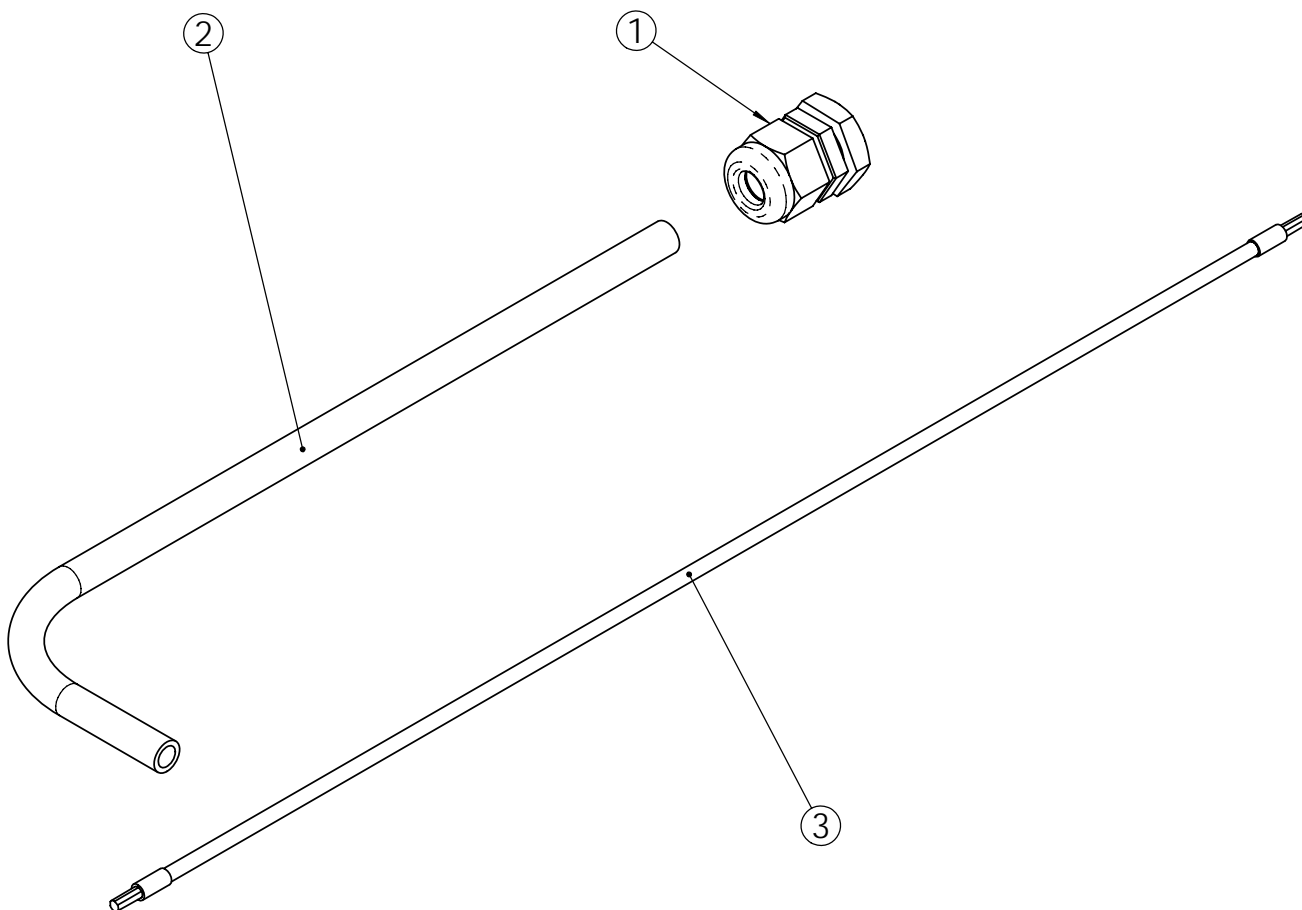


REVISIONS				
ECN	Rev.	Description	Date (dd/mm/yy)	Approved
F4438	G	BR17967 était 17967	19/09/07	MP



ITEM	P/N	QTY	DESCRIPTION
1	BR17967	1	FITTING ASSY, LIQUID TIGHT , BLK
2	18717	1	GUIDE METER CABLE, 3" METER
3	15513	1	METER FLEXIBLE ASSY



GUIDE CABLE ASSY 3900 - 3" METER

25353