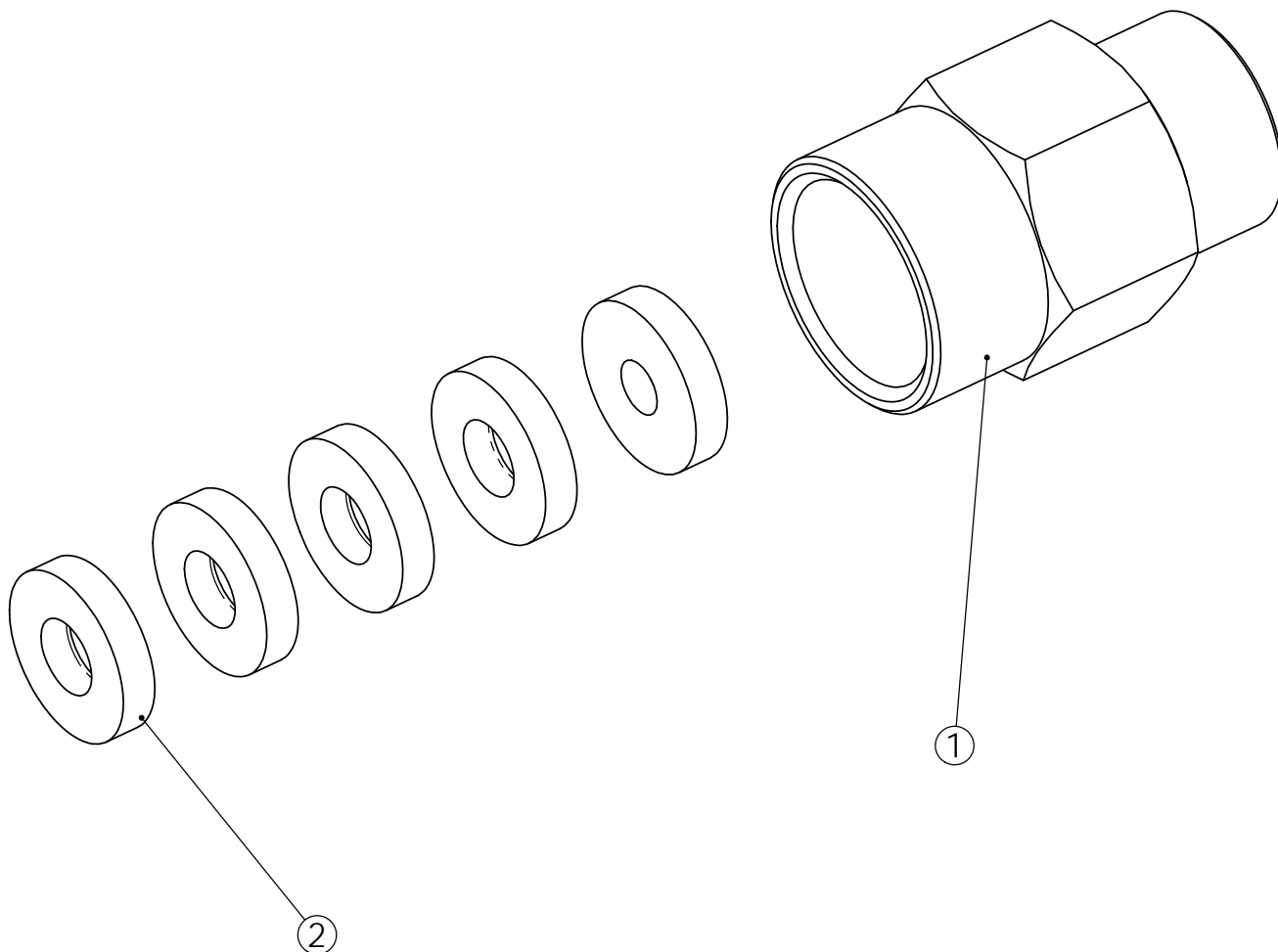


REVISIONS				
ECN	Rev.	Description	Date (dd/mm/yy)	Approved
F5054	A	Creation	2/10/09	MP/LD



ITEM	PART NUMBER	QTY	DESCRIPTION
1	19081-10	1	FLOW CONTROL HOUSING, 3/4" X 1" FEM., LARGE WASH.
2	16529	1	FLOW CONTROL WASHER 10 GPM
2	16735	1	FLOW CONTROL WASHER 12 GPM
2	16736	1	FLOW CONTROL WASHER 15 GPM
2	16528	1	FLOW CONTROL WASHER 20 GPM
2	16737	1	FLOW CONTROL WASHER 25 GPM



KIT, DLFC, 1 in, 2850/9500

25581-ALL