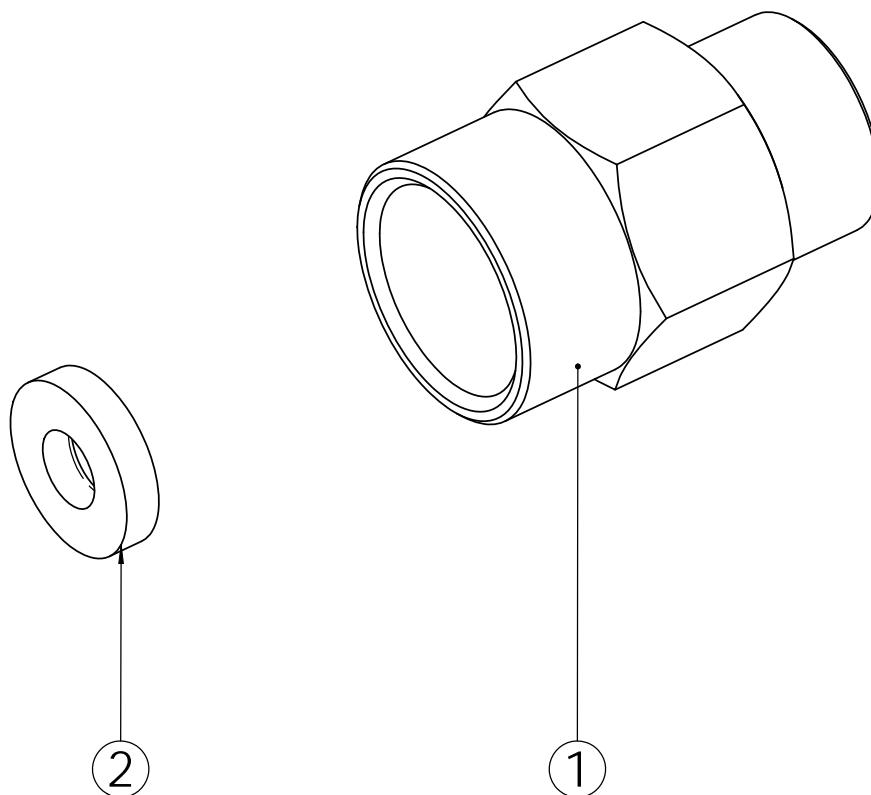


REVISIONS				
ECN	Rev.	Description	Date (dd/mm/yy)	Approved
F5054	G	REDRAWN * Add 25581-ALL for SPARE PARTS	2/10/09	MP/LD
F5487	H	ADD VERSIONS 25581-8 and 25581-9	04/05/2012	MAN



S.A.V
Only

ITEM	PART NO.	DESCRIPTION	25581-8 QTY	25581-9 QTY	25581-10 Qty	25581-12 Qty	25581-15 Qty	25581-20 Qty	25581-25 Qty	25581-ALL Qty
1	19081-10	FLOW CONTROL HOUSING, 3/4" X 1" FEM., LARGE WASH.	1	1	1	1	1	1	1	1
2	16529	FLOW CONTROL WASHER 10 GPM	-	-	1	-	-	-	-	1
2	16735	FLOW CONTROL WASHER 12 GPM	-	-	-	1	-	-	-	1
2	16736	FLOW CONTROL WASHER 15 GPM	-	-	-	-	1	-	-	1
2	16528	FLOW CONTROL WASHER 20 GPM	-	-	-	-	-	1	-	1
2	16737	FLOW CONTROL WASHER 25 GPM	-	-	-	-	-	-	1	1
3	17943	WASHER, FLOW CONTROL 8.0 GPM	1	-	-	-	-	-	-	-
4	17944	FLOW CONTROL WASHER 9 GPM	-	1	-	-	-	-	-	-



DLFC 1in. NPT - 3/4in. BSP ASSY 8 to 25 Gpm

25581-XX