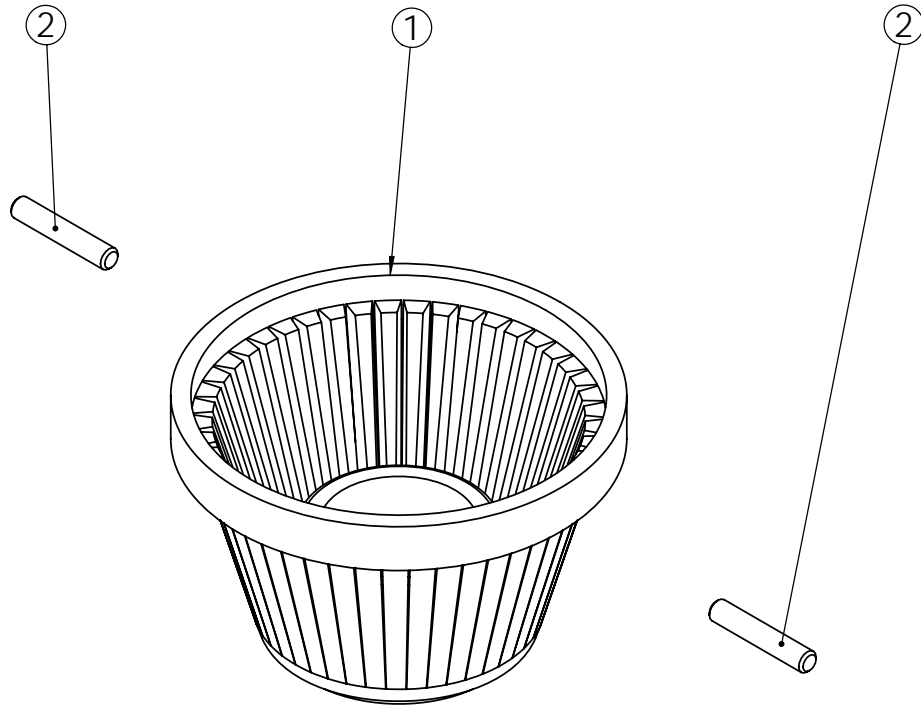


REVISIONS				
ECN	Rev.	Description	Date (dd/mm/yy)	Approved
F4721	F	BU28622 was 25636+13693-01	28/04/08	MP/LD



ITEM	QTY	PART NO.	DESCRIPTION	NOM
1	1	BU28622	WELDED HOT WATER DISTRIBUTOR CAGE H.C and BUSHING, DISTRIBUTOR, 3/4"	CREPINE EAU CHAUDE HIGH CAPACITY 3/4" ASSEMBLEE
2	2	12044	PIN , TOP COLLECTOR	GOUPILLE



DISTRIBUTOR CAGE 3/4" HOT WATER HIGH CAPACITY ASSY

25637

Chap.18