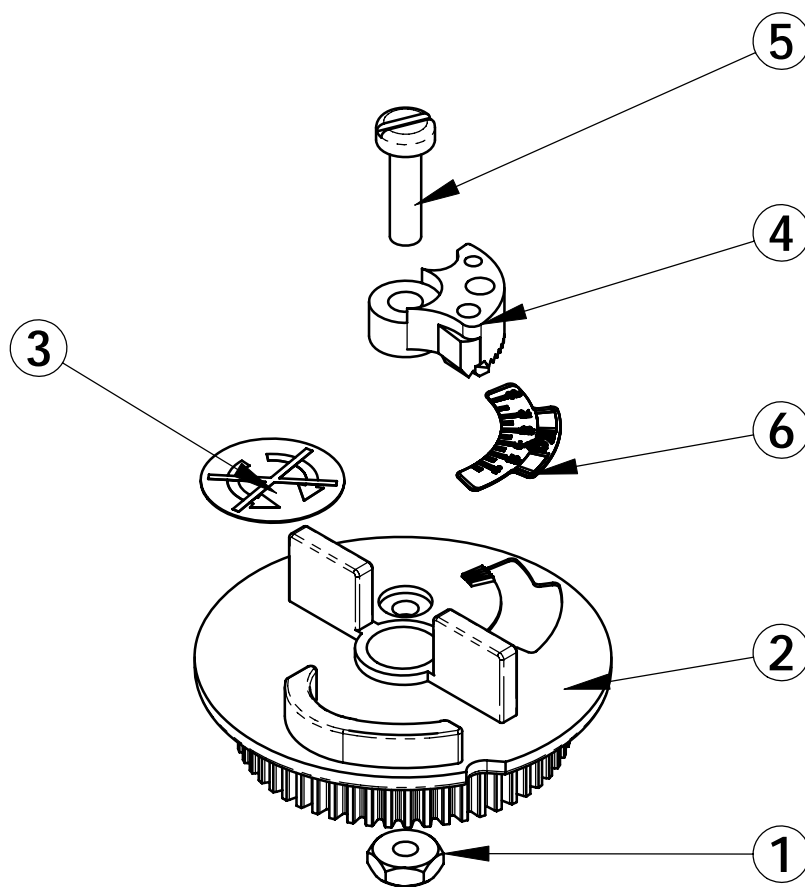


REVISIONS				
ECN	Rev.	Description	Date (dd/mm/yy)	Approved
	D	BU11980 WAS 11980	28/11/07	LD



ITEM	PN	DESCRIPTION	25721-012 QTY	25721-025 QTY	25721-050 QTY	25721-100 QTY
1	11081	NUT	1	1	1	1
2	24938	BRINE CAM UP FLOW	1	1	1	1
3	26843	BRINE CAM LABEL	1	1	1	1
4	BR41123	SEGMENT,BRINE VALVE CAM	1	1	1	1
5	BU11980	SCREW	1	1	1	1
6	28231	Salt label 1 - 3.5 KG	1	-	-	-
6	28232	Salt label 1.5 - 7 KG	-	1	-	-
6	BU28233	Salt label 3 - 14 KG	-	-	1	-
6	BU28234	Salt label 6 - 28 KG	-	-	-	1



BRINE CAM UF ASSY ND MECA 5665

25721-XXX

CHAP 05