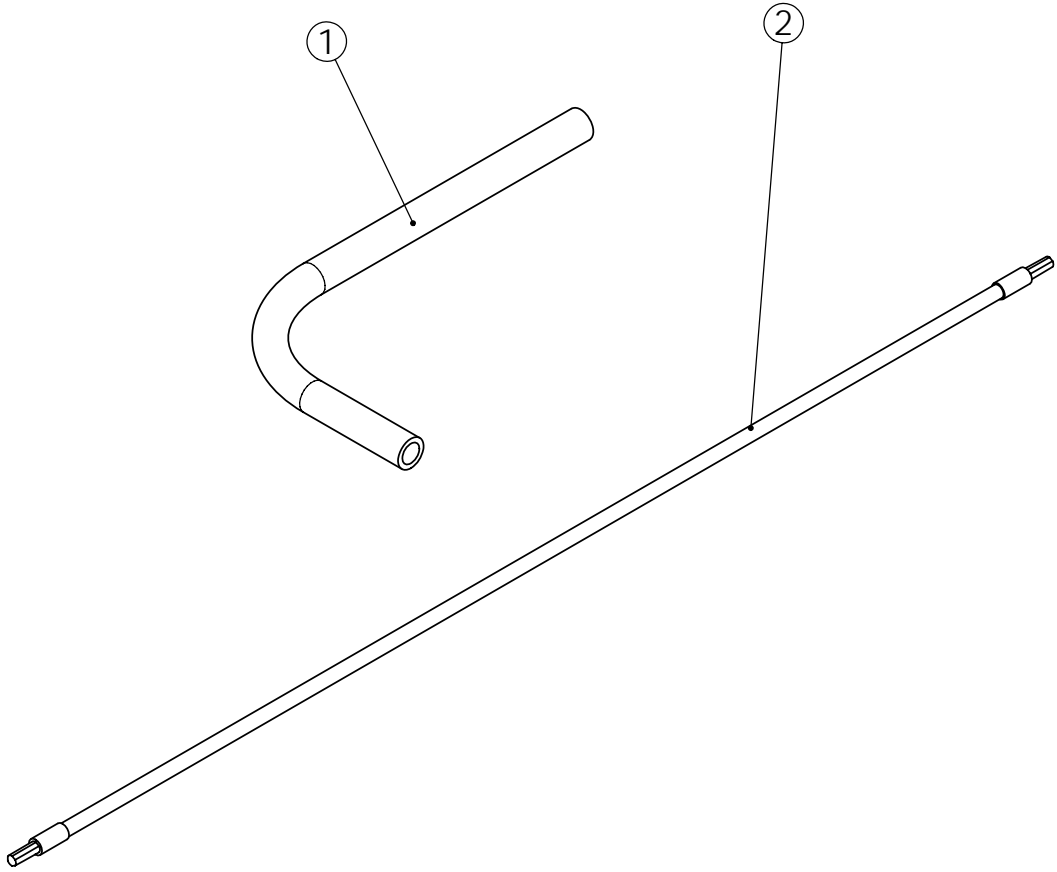


REVISIONS				
ECN	Rev.	Description	Date (dd/mm/yy)	Approved
F5283	F	REDRAWN ON SOLIDWORKS	18/11/10	MP



ITEM	P/N	QTY	DESCRIPTION
1	15368	1	GUIDE CABLE
2	15216	1	METER FLEXIBLE ASSY



GUIDE CABLE ASSY 9000/9100 - 1"

25725