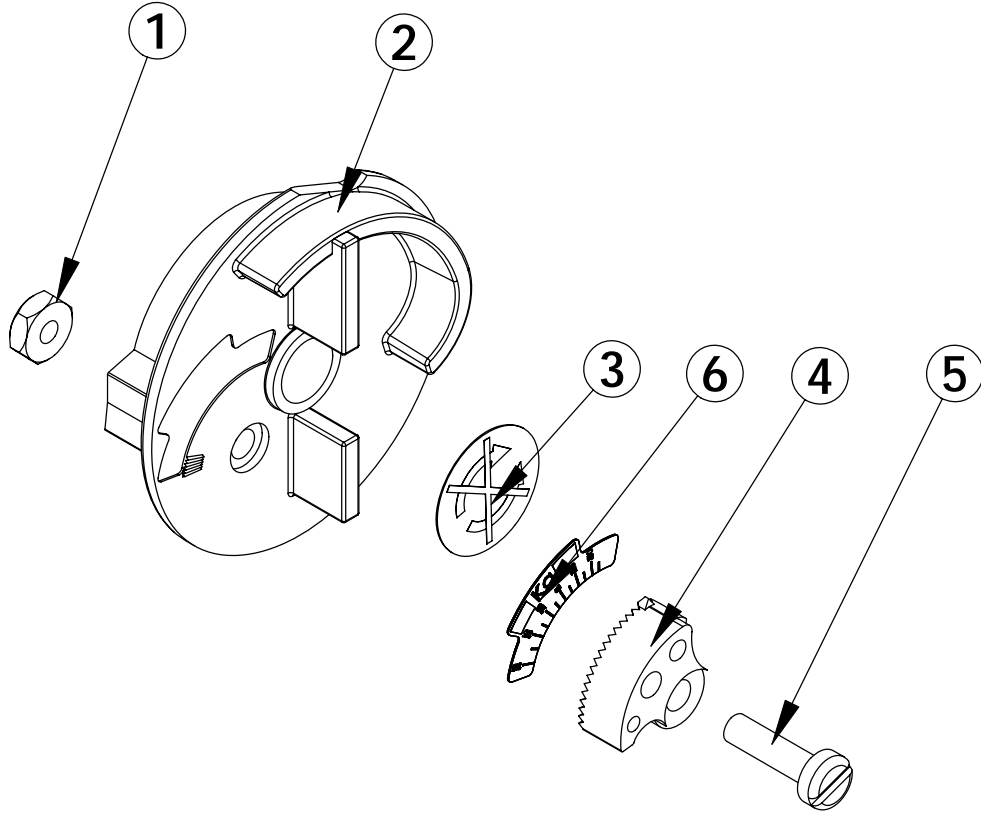


REVISIONS				
ECN	Rev.	Description	Date (dd/mm/yy)	Approved
	E	BU11980 was 11980	28/11/07	LD
	F	BR16849 was 16849	23/02/2009	LD



ITEM	PN	DESCRIPTION	25736-012 QTY	25736-025 QTY	25736-050 QTY	25736-100 QTY
1	11081	NUT	1	1	1	1
2	BR16849	BRINE VALVE DRIVE CAM	1	1	1	1
3	26843	BRINE CAM LABEL	1	1	1	1
4	BR41123	SEGMENT, BRINE VALVE CAM	1	1	1	1
5	BU11980	SCREW	1	1	1	1
6	28230	Salt label .50 - 1.8 KG	1	-	-	-
6	28231	Salt label 1 - 3.5 KG	-	1	-	-
6	28232	Salt label 1.5 - 7 KG	-	-	1	-
6	BU28233	Salt label 3 - 14 KG	-	-	-	1



BRINE CAM DF ASSY 5600 FR

25736-XX

CHAP. 05