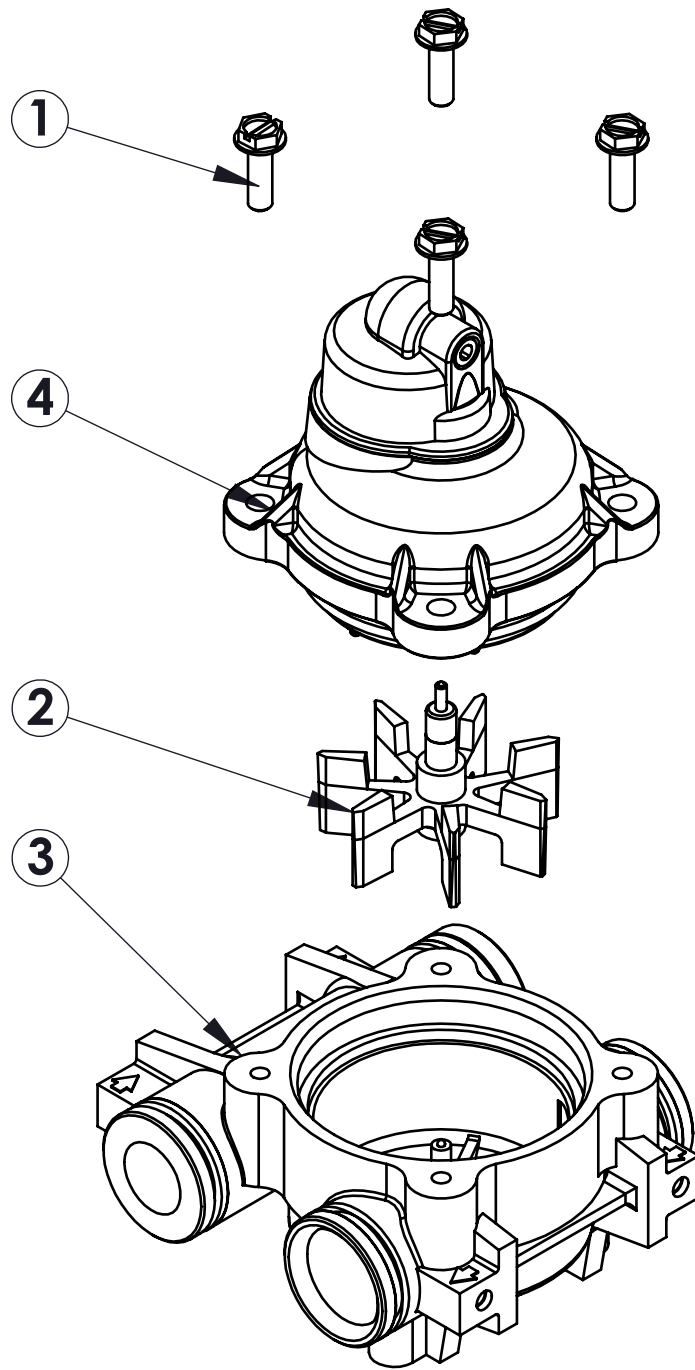


REVISIONS				
ECN	Rev.	Description	Date (dd/mm/yy)	Approved
	F	BR15659 WAS 15659	11/10/07	LD



ITEM	QTY	PART NO.	DESCRIPTION	NOM
1	4	12473	SCREW 10-24 X 5/8	VIS 10-24 x 5/8
2	1	13509	IMPELLER	TURBINE
3	1	25079	METER BODY 3/4 ASSY WITH ANTI BACKFLOW	CORPS DE COMPTEUR 3/4" ASSEMBLE
4	1	BR15659	METER CAP ASSY, 3/4 TO 2",EXT,RT ANG/90,PLAS,PDL	COUVERCLE DE COMPTEUR ASSEMBLE 40m3



METER ASSY 40 m3 WITH POPPET

25872
CHAP. 14