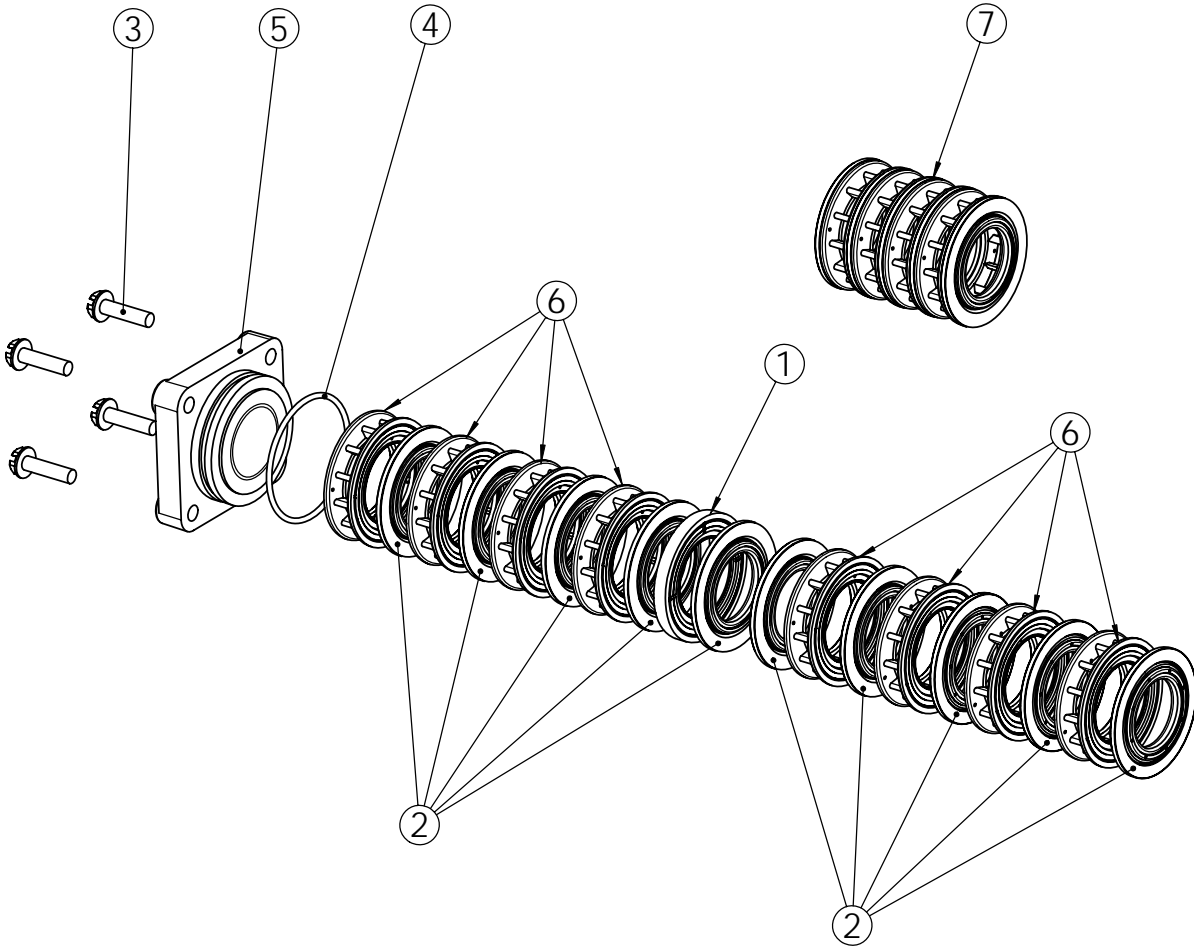


REVISIONS				
ECN	Rev.	Description	Date (dd/mm/yy)	Approved
F4864	A	CREATION	3/11/08	MP/LD
F5096	B	UPDATED DRAWING	15/12/09	MP/LD
F5132	C	UPDATED DRAWING : S/E 24944 WAS ADDED	01/03/2010	MP/CHT



ITEM	QTY	PART NUMBER	DESCRIPTION
1	1	16595	SPACER
2	10	BU17772	SEAL,4600/ 5600 HOT WATER
3	4	15331	SCREW, HEX WASHER HEAD, #10-24 X .75
4	1	BR40952	O-RING, 030
5	1	BR42278	END CAP, PLASTIC, 9000/9100
6	8	14241-01	SPACER, HOT WATER
7	1	24944	SEALS AND SPACERS KIT 4600 HOT WATER / 9000 HOT WATER UPPER



SEALS AND SPACERS KIT FOR 9000 HW

26013