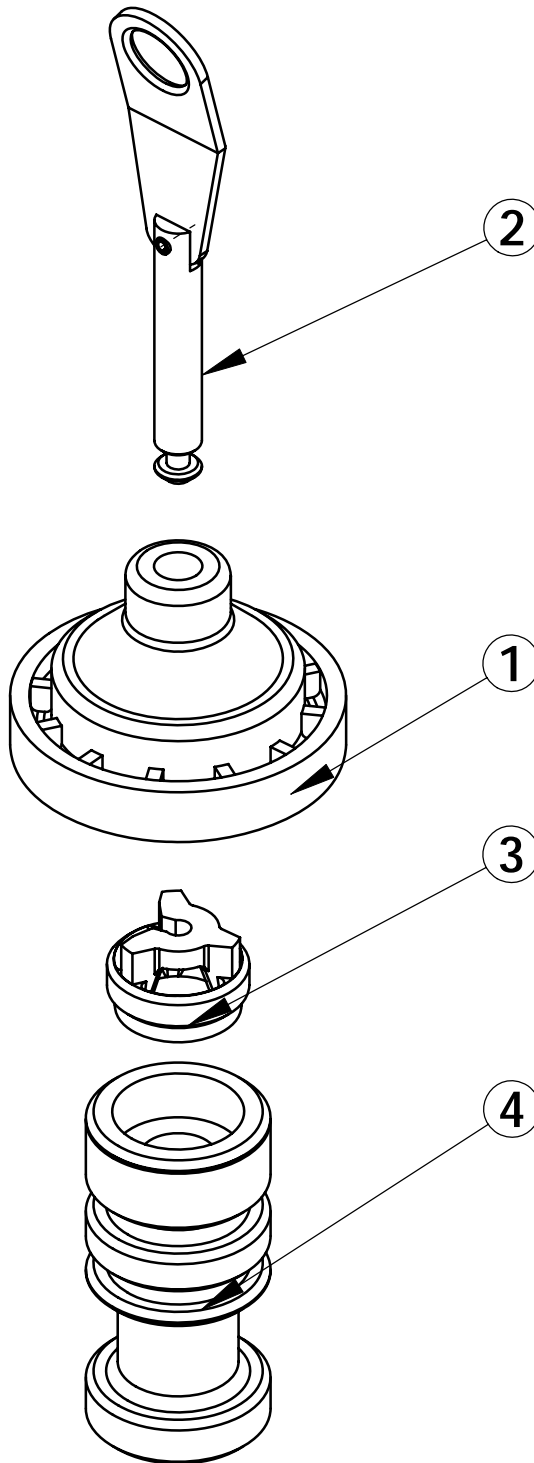


REVISIONS				
ECN	Rev.	Description	Date (dd/mm/yy)	Approved
	B	BR14309 WAS 14309	18/10/07	LD
	C	BR15701 was 15701	30/10/2007	LD
F5164	D	OBSOLETE	05/05/2010	MP



OBSOLETE

ITEM	QTY	PART NO.	DESCRIPTION	NOM
1	1	13446	END PLUG ASSY FOR 4600/5600/9000-9100 DF	ETRIER PISTON ASSEMBLE 4600/5600/9000-9100 DF
2	1	17250-01	PISTON ROD ASSY	TIGE DE PISTON ASSEMBLE
3	1	BR14309	RETAINER,PISTON ROD	RETENUE, TIGE DE PISTON
4	1	BR15701	PISTON, 5600/7500 UPFLOW	PISTON 5600/7600 UF



PISTON ASSY 7600 UF

26024
CHAP. 19