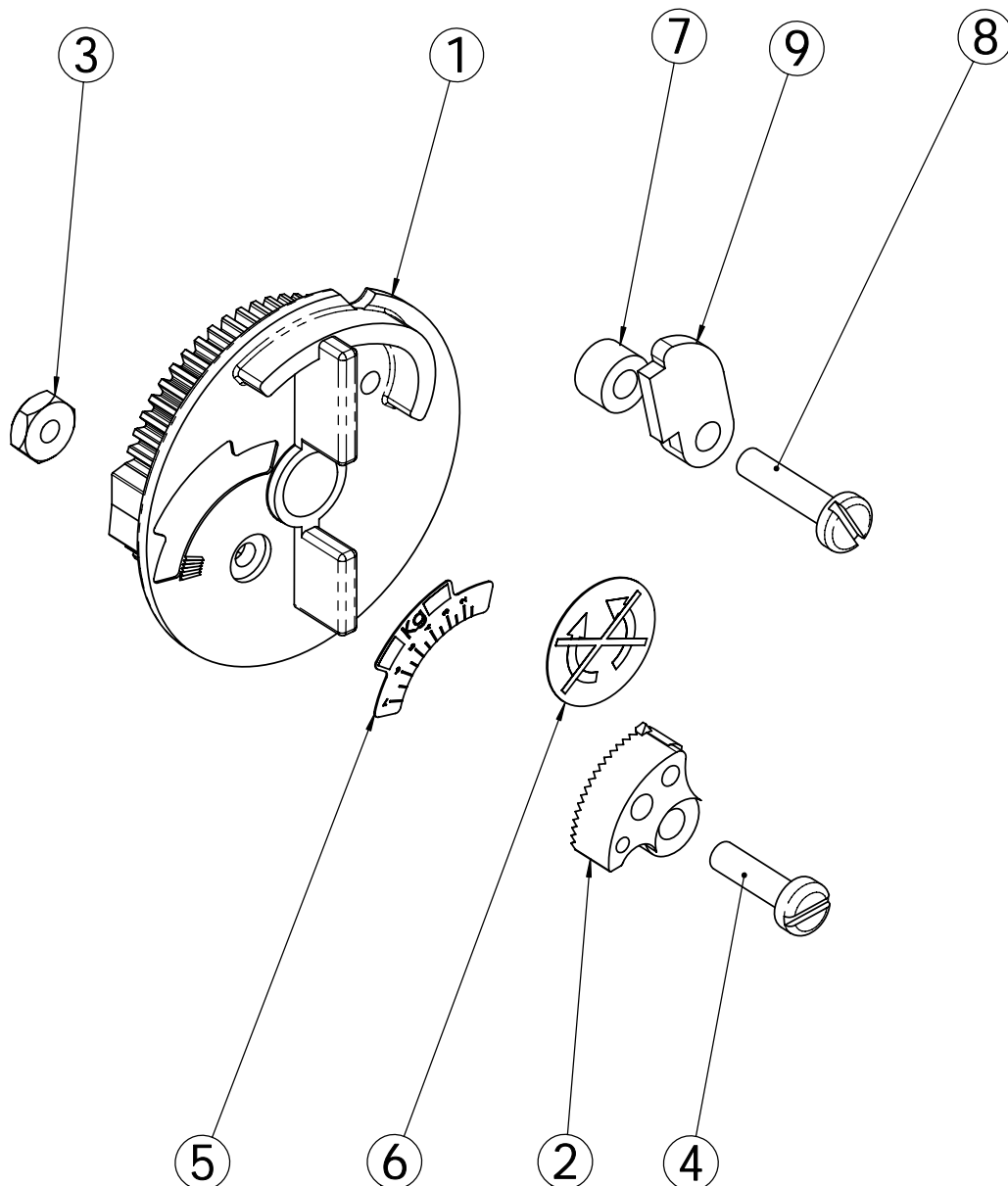
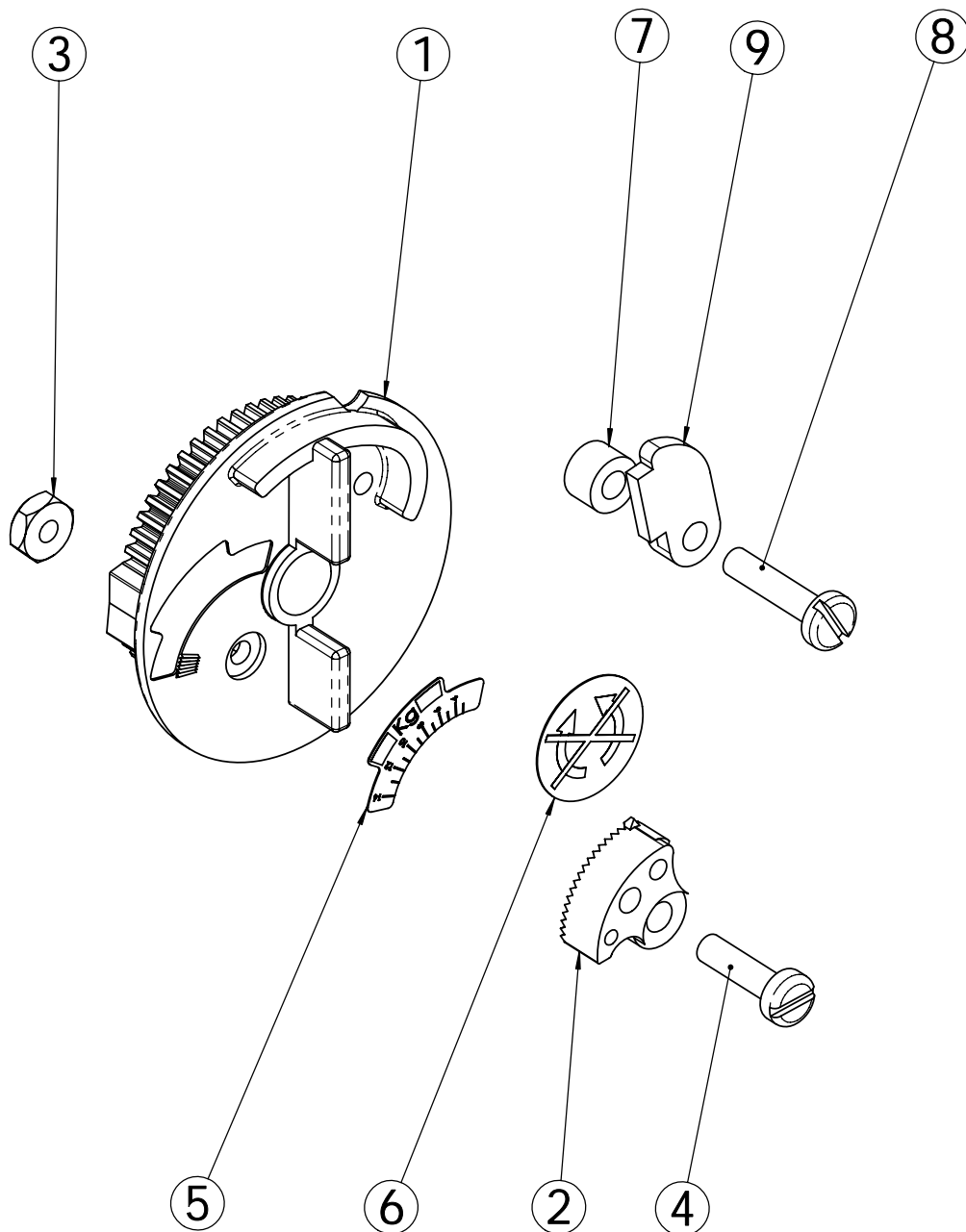


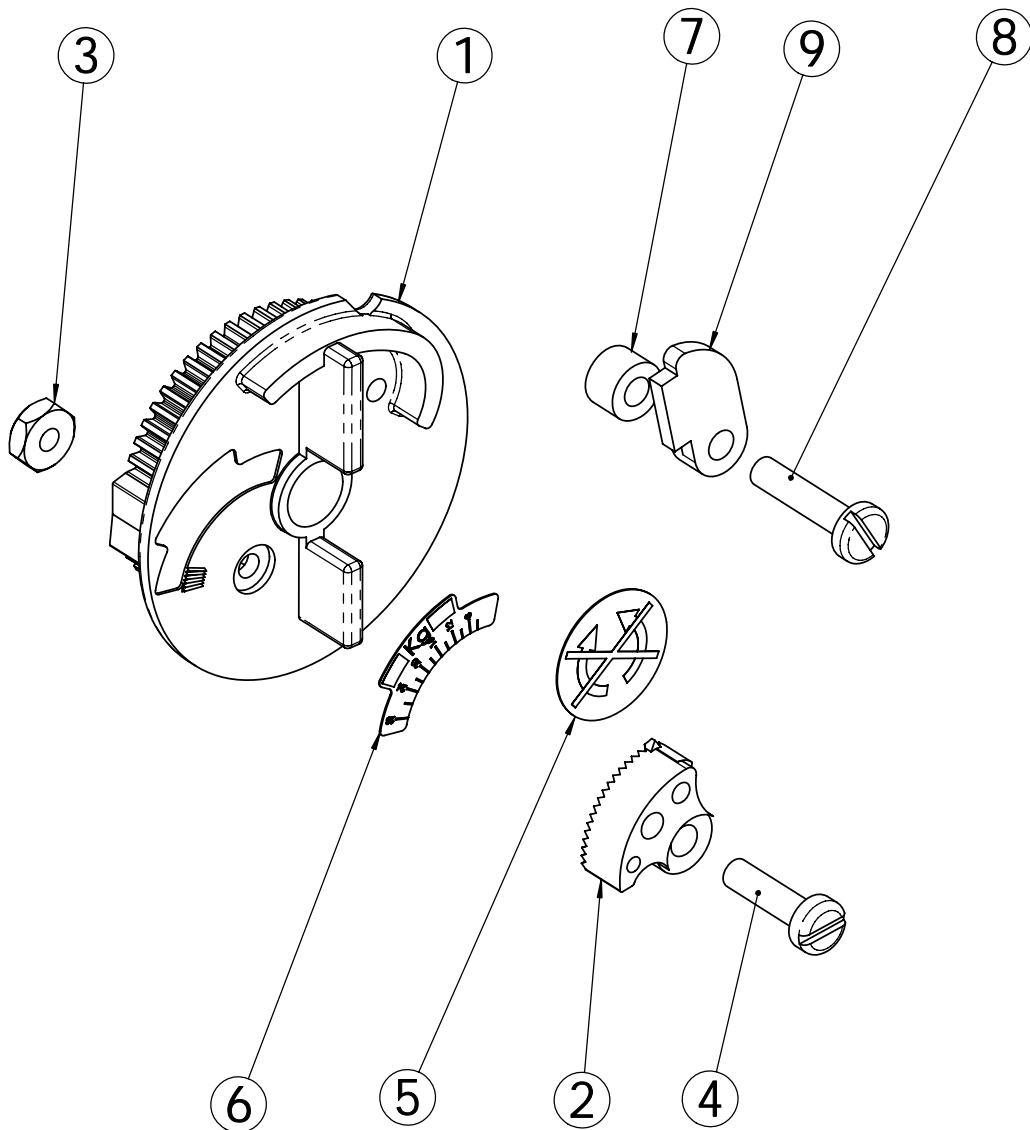
ITEM	QTY	PART NO.	DESCRIPTION	NOM
1	1	13168-01	BRINE CAM	CAME DE SAUMURAGE
2	1	41123	TIME FILL CAM	CAME
3	1	11081	NUT	ECROU
4	1	11980	SCREW	VIS
5	1	28231	Salt label 1 - 3.5 KG	Etiquette de sel 1 - 3.5 KG
6	1	26843	BRINE CAM LABEL	LABEL CAME A SAUMURE
7	1	BU26069	SPACER	ENTRETOISE
8	1	15571	SCREW,PAN HD,8-32 X 3/4 18-8S	Vis
9	1	15572	SWITCH CAM	CAME



ITEM	QTY	PART NO.	DESCRIPTION	NOM
1	1	13168-01	BRINE CAM	CAME DE SAUMURAGE
2	1	41123	TIME FILL CAM	CAME
3	1	11081	NUT	ECROU
4	1	11980	SCREW	VIS
5	1	28232	Salt label 1.5 - 7 KG	Etiquette de sel 1.5 - 7 KG
6	1	26843	BRINE CAM LABEL	LABEL CAME A SAUMURE
7	1	BU26069	SPACER	ENTRETOISE
8	1	15571	SCREW,PAN HD,8-32 X 3/4 18-8S	Vis
9	1	15572	SWITCH CAM	CAME



ITEM	QTY	PART NO.	DESCRIPTION	NOM
1	1	13168-01	BRINE CAM	CAME DE SAUMURAGE
2	1	41123	TIME FILL CAM	CAME
3	1	11081	NUT	ECROU
4	1	11980	SCREW	VIS
5	1	28233	Salt label 3 - 14 KG	Etiquette de sel 3 - 14 KG
6	1	26843	BRINE CAM LABEL	LABEL CAME A SAUMURE
7	1	BU26069	SPACER	ENTRETOISE
8	1	15571	SCREW,PAN HD,8-32 X 3/4 18-8S	Vis
9	1	15572	SWITCH CAM	CAME



ITEM	QTY	PART NO.	DESCRIPTION	NOM
1	1	13168-01	BRINE CAM	CAME DE SAUMURAGE
2	1	41123	TIME FILL CAM	CAME
3	1	11081	NUT	ECROU
4	1	11980	SCREW	VIS
5	1	26843	BRINE CAM LABEL	LABEL CAME A SAUMURE
6	1	28234	Salt label 6 - 28 KG	Etiquette de sel 6 - 28 KG
7	1	BU26069	SPACER	ENTRETOISE
8	1	15571	SCREW,PAN HD,8-32 X 3/4 18-8S	Vis
9	1	15572	SWITCH CAM	CAME