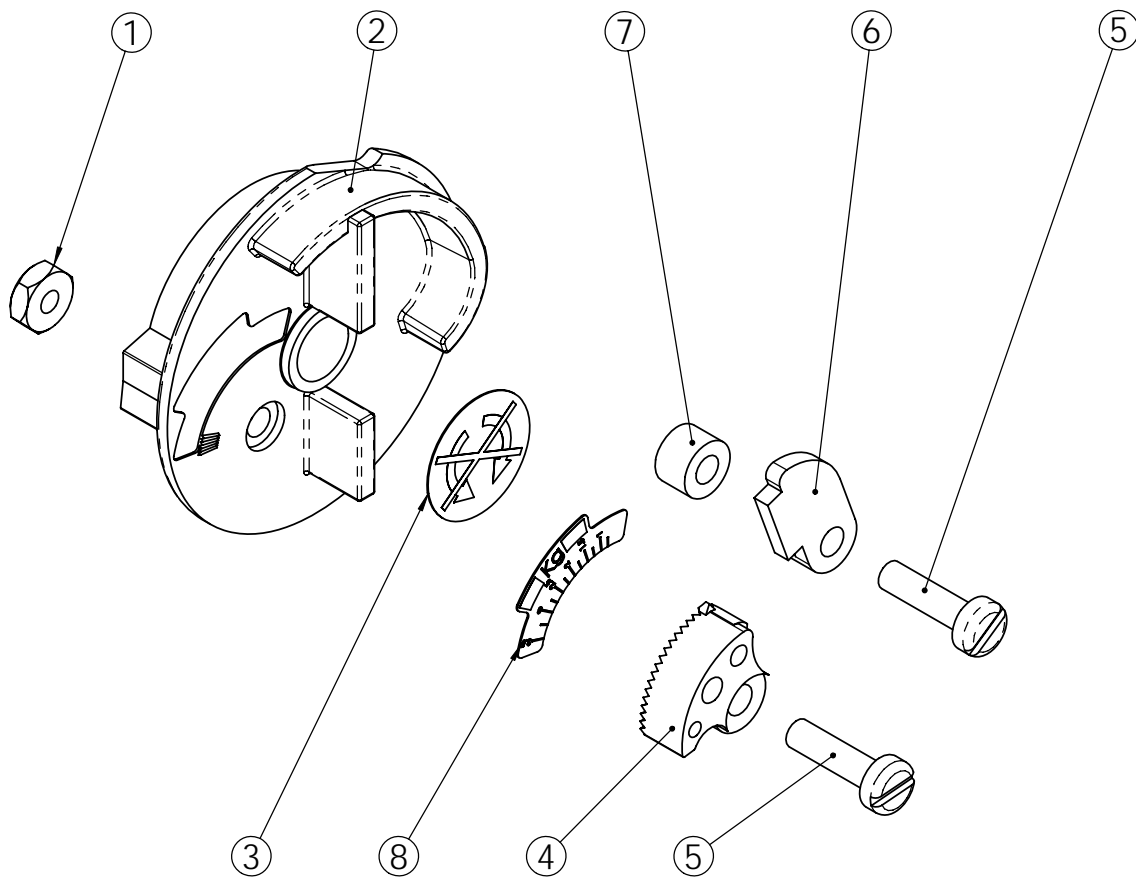


REVISIONS				
ECN	Rev.	Description	Date (dd/mm/yy)	Approved
	B	BR16849 was 16849	23/02/09	LD
Fxxxx	C	Added BU11980 to replace BR15571 (Use To Depletion)	02/09/2011	MAN



ITEM	P/N	DESCRIPTION	26116-0.12	26116-0.25	26116-0.50	26116-100
1	11081	NUT	1	1	1	1
2	BR16849	BRINE VALVE DRIVE CAM	1	1	1	1
3	26843	BRINE CAM LABEL	1	1	1	1
4	BR41123	SEGMENT,BRINE VALVE CAM	1	1	1	1
5	BU11980	SCREW	2	2	2	2
6	15572	SWITCH CAM	1	1	1	1
7	BU26069	SPACER	1	1	1	1
8	28231	Brine Cam Salt Label 1 - 3,5 Kg	1	-	-	-
8	28232	Brine Cam Salt Label 1,5 - 7 Kg	-	1	-	-
8	BU28233	Brine Cam Salt Label 3 - 14 Kg	-	-	1	-
8	BU28234	Brine Cam Salt Label 6 - 28 Kg	-	-	-	1



Brine Cam assy 4600/5600 DF Fast Reg imm

**26116-XX**