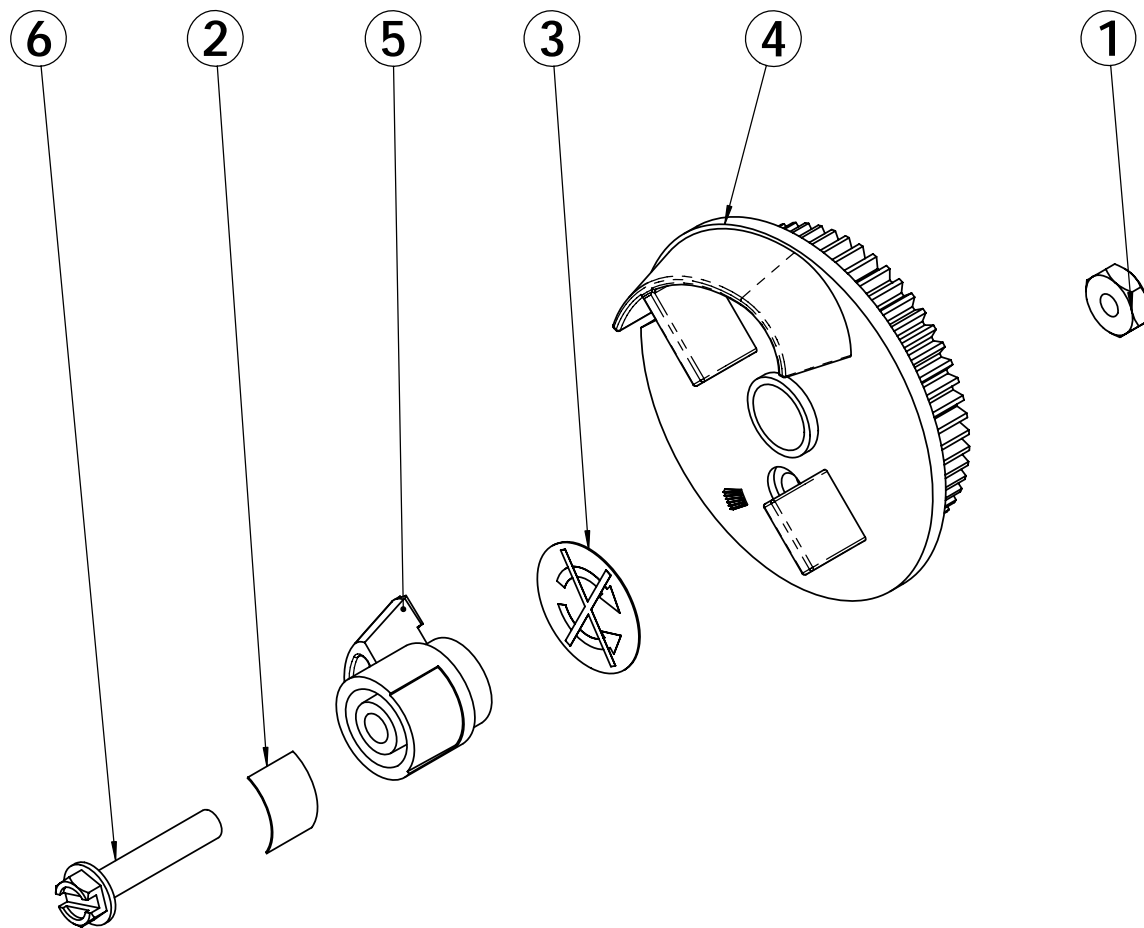
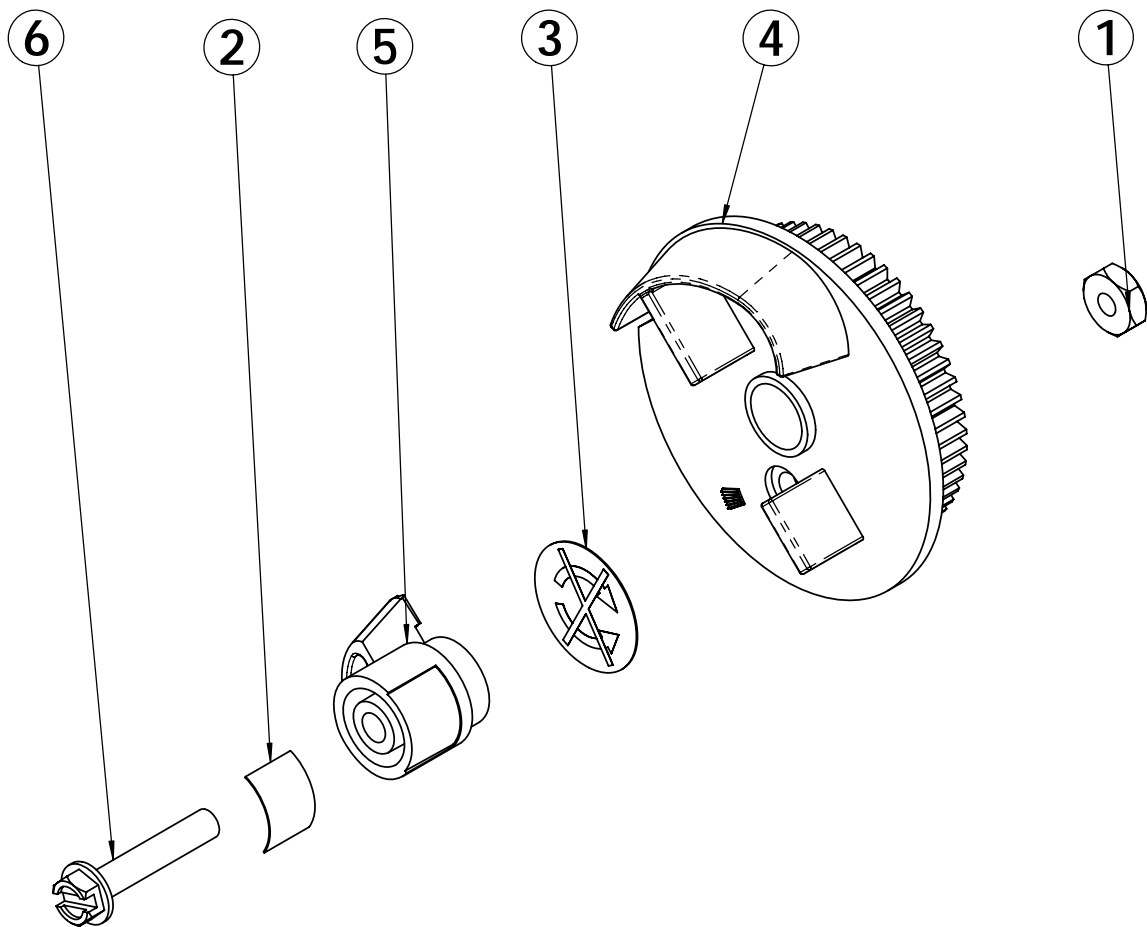


ITEM	QTY	PART NO.	DESCRIPTION	NOM
1	1	11081	NUT	ECROU
2	1	18677	LABEL Kg SALT	LABEL SEL
3	1	26843	BRINE CAM LABEL	LABEL CAME A SAUMURE
4	1	BR16667	CAM,DRIVE BRINE VALVE	CAME A SAUMURE
5	1	BR16671	CAM, TIMED REFILL	SEGMENT
6	1	BR17114	SCREW, HEX. HD. MACH, #8-32 X .88	VIS



ITEM	QTY	PART NO.	DESCRIPTION	NOM
1	1	11081	NUT	ECROU
2	1	18678	LABEL Kg SALT	LABEL SEL
3	1	26843	BRINE CAM LABEL	LABEL CAME A SAUMURE
4	1	BR16667	CAM,DRIVE BRINE VALVE	CAME A SAUMURE
5	1	BR16671	CAM, TIMED REFILL	SEGMENT
6	1	BR17114	SCREW, HEX. HD. MACH, #8-32 X .88	VIS



ITEM	QTY	PART NO.	DESCRIPTION	NOM
1	1	11081	NUT	ECROU
2	1	18497	LABEL Kg SALT	LABEL SEL
3	1	26843	BRINE CAM LABEL	LABEL CAME A SAUMURE
4	1	BR16667	CAM,DRIVE BRINE VALVE	CAME A SAUMURE
5	1	BR16671	CAM, TIMED REFILL	SEGMENT
6	1	BR17114	SCREW, HEX. HD. MACH, #8-32 X .88	VIS