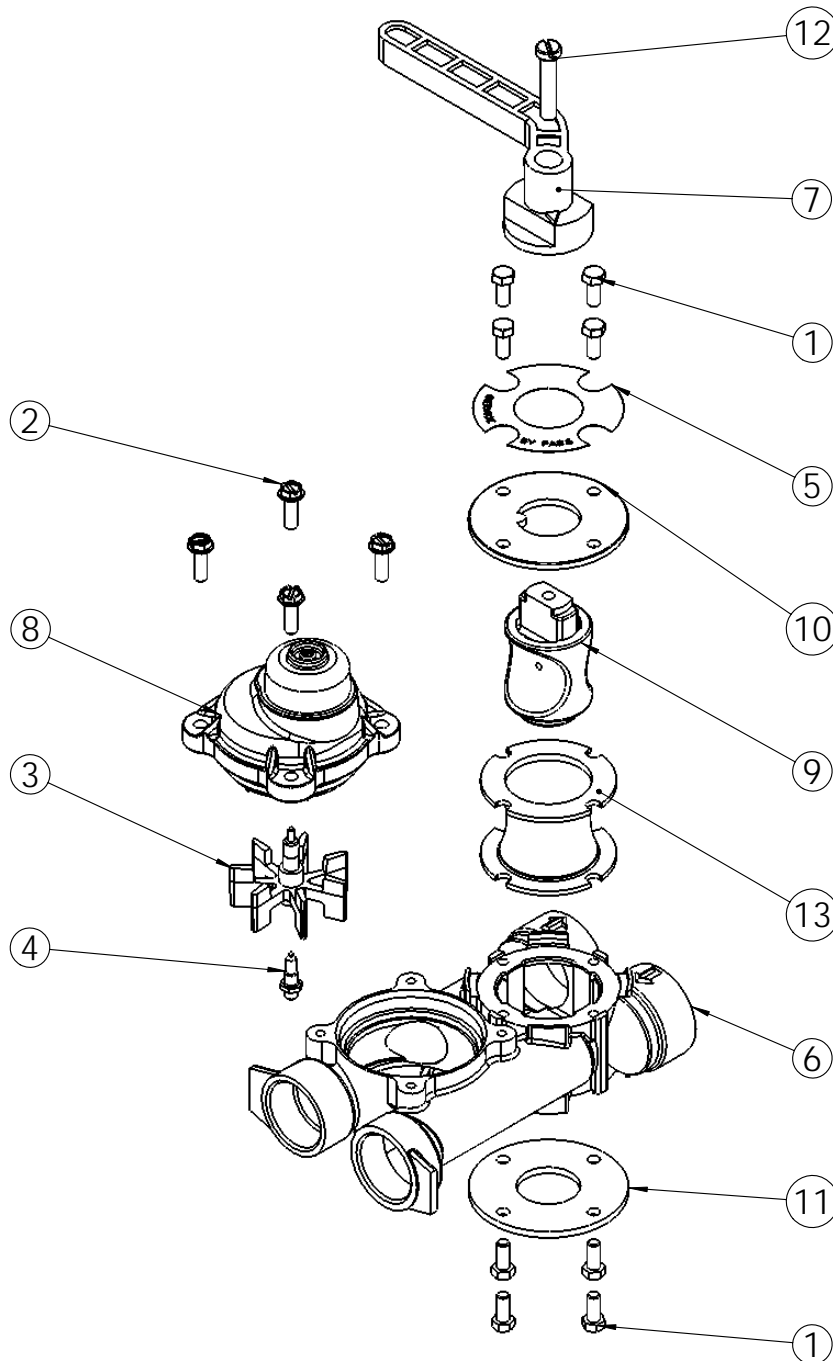


ITEM	QTY	PART NO.	DESCRIPTION	NOM
1	8	11737	SCREW	VIS
2	4	12473	SCREW 10-24 X 5/8	VIS 10-24 x 5/8
3	1	13509	IMPELLER, METER	TURBINE
4	1	13882	POST, METER IMPELLER	AXE
5	1	21134	LABEL BY-PASS	LABEL BY-PASS
6	1	24033	BY-PASS METER	COMPTEUR BY-PASS
7	1	24419-10	BY PASS HAND - RED	POIGNEE BY-PASS ROUGE
8	1	BR15150	METER CAP ASSY, 3/4 TO 2", EXT, PLAS, PDL	COUVERCLE PLASTIQUE DE COMPTEUR ETENDU ASSEMBLE
9	1	BU11972	PLUG, BY PASS	BOUCHON BYPASS
10	1	BU11978	SIDE COVER BY PASS	PLAQUE
11	1	BU11986	SIDE COVER BY-PASS VALVE	COUVERCLE BY-PASS
12	1	BU28642	SCREW TC M6 x 30	VIS TC M6 x 30
13	1	BU14105	BY-PASS SEAL 560CD	JOINT DE BY-PASS



ITEM	QTY	PART NO.	DESCRIPTION	NOM
1	8	11737	SCREW	VIS
2	4	12473	SCREW 10-24 X 5/8	VIS 10-24 x 5/8
3	1	13509	IMPELLER, METER	TURBINE
4	1	13882	POST, METER IMPELLER	AXE
5	1	21134	LABEL BY-PASS	LABEL BY-PASS
6	1	24033	BY-PASS METER	COMPTEUR BY-PASS
7	1	24419-20	BY PASS HAND - BLUE	POIGNEE BY-PASS BLEUE
8	1	BR15150	METER CAP ASSY, 3/4 TO 2", EXT, PLAS, PDL	COUVERCLE PLASTIQUE DE COMPTEUR ETENDU ASSEMBLE
9	1	BU11972	PLUG, BY PASS	BOUCHON BYPASS
10	1	BU11978	SIDE COVER BY PASS	PLAQUE
11	1	BU11986	SIDE COVER BY-PASS VALVE	COUVERCLE BY-PASS
12	1	BU28642	SCREW TC M6 x 30	VIS TC M6 x 30
13	1	BU14105	BY-PASS SEAL 560CD	JOINT DE BY-PASS