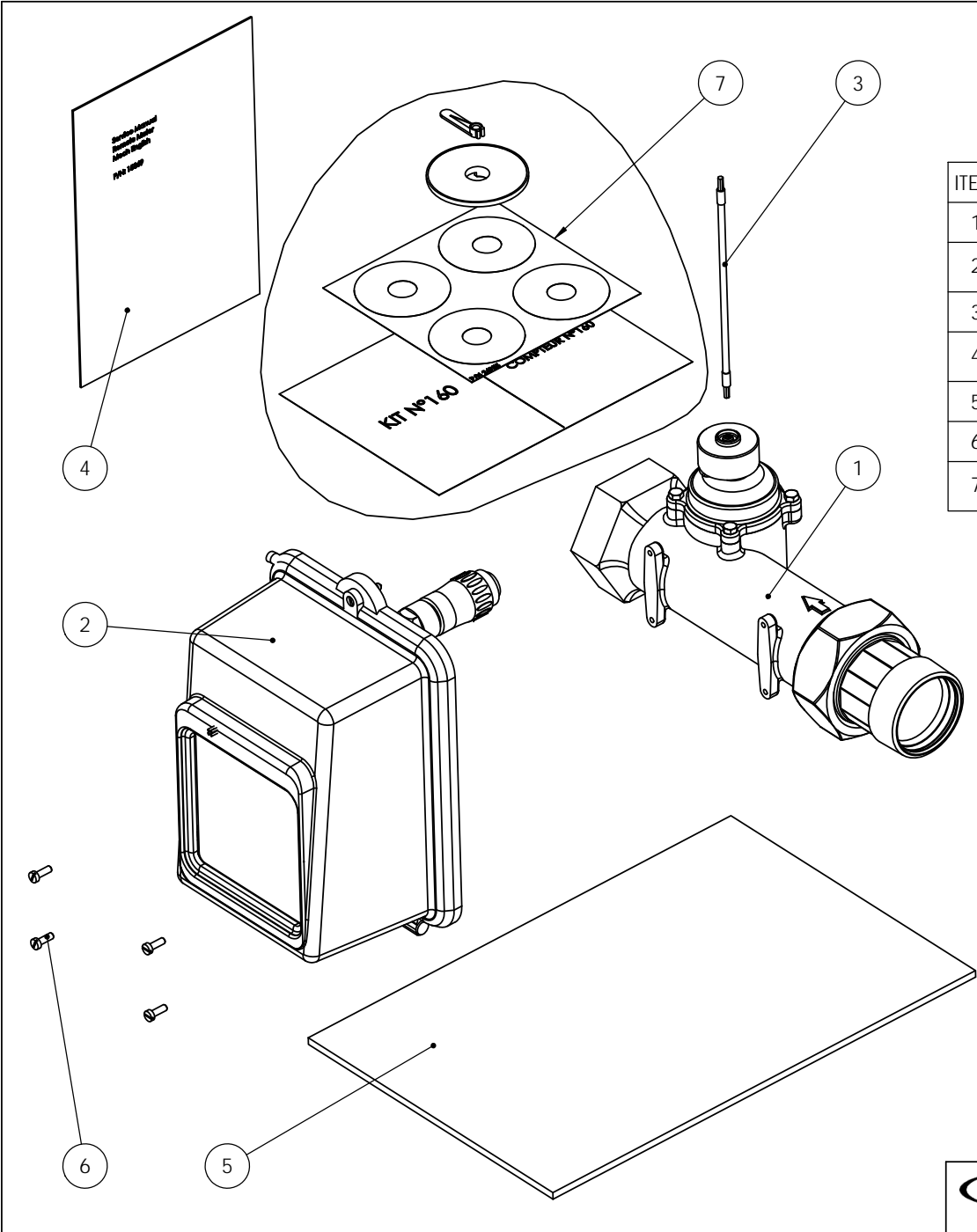


REVISIONS				
ECN	Rev.	Description	Date (dd/mm/yy)	Approved
	A	CREATION	xx/xx/xx	MAN
	B	REDRAWN ON CAD SYSTEM	12/04/2012	MAN

ITEM	P/N	QTY	DESCRIPTION
1	24149	1	375 m3 METER 2" ASSY
2	26588-375	1	PH RM Duplex #6 & 2910 24V/50 Hz , 375 m3
3	15455	1	METER FLEXIBLE ASSY
4	15369	1	Service Manual Remote Meter Mech English
5	27193	1	PLAQUE CARTON
6	21078	4	Remote Meter Screw TC 4 x 12
7	KIT 160	1	Kit Meter Test All valve (except 3900)



Remote Meter Mechanical 2in 24V

26159-01