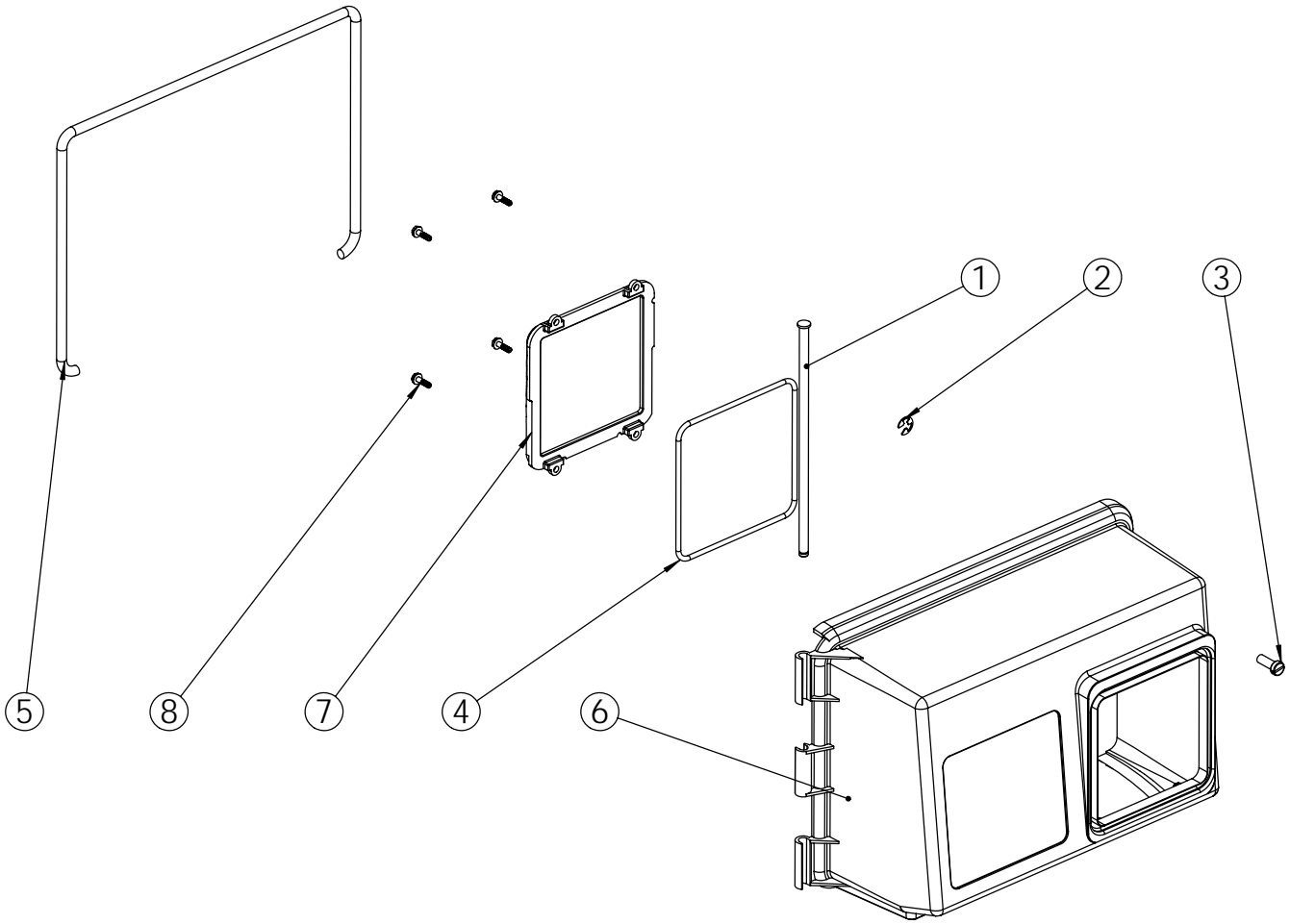


REVISIONS				
ECN	Rev.	Description	Date (dd/mm/yy)	Approved
	N	ADDED VERSIONS -02, -03, -04, -05 & -06	5/03/08	LD
	P	REMOVED 18615 ON VERSIONS -01, -02 & -03	23/07/09	LD



ITEM	PN	DESCRIPTION	26217-01 QTY	26217-02 QTY	26217-03 QTY	26217-11 QTY	26217-12 QTY	26217-13 QTY
1	17845-02	PIN HINGE COMM.VALVES	1	1	1	1	1	1
2	BR11981-01	RING, RETAINING	1	1	1	1	1	1
3	BU11989	SCREW TC M6 x 16	1	1	1	1	1	1
4	BU18615	SEAL, Ø 3,4 mm	-	-	-	1	1	1
5	BU18716	SEAL, Ø 6,7mm	1	1	1	1	1	1
6	18670-050	COVER, HINGED, GRAY	1	-	-	1	-	-
6	18670-070	COVER, HINGED, BLUE	-	1	-	-	1	-
6	18670-020	COVER, HINGED, BLACK	-	-	1	-	-	1
7	BR41556	WINDOW, ENVIRONMENTAL; CLEAR	1	1	1	-	-	-
7	18745-02	WINDOW (BLACK), COVER	-	-	-	1	1	1
8	BU13296	SCREW #6-20 * 0.50 long	4	4	4	-	-	-
8	BU17020	SCREW, HEX WASHER HEAD, #6-20 X .38	-	-	-	4	4	4



COVER ASSY PRO2

26217-XX
CHAP. 27