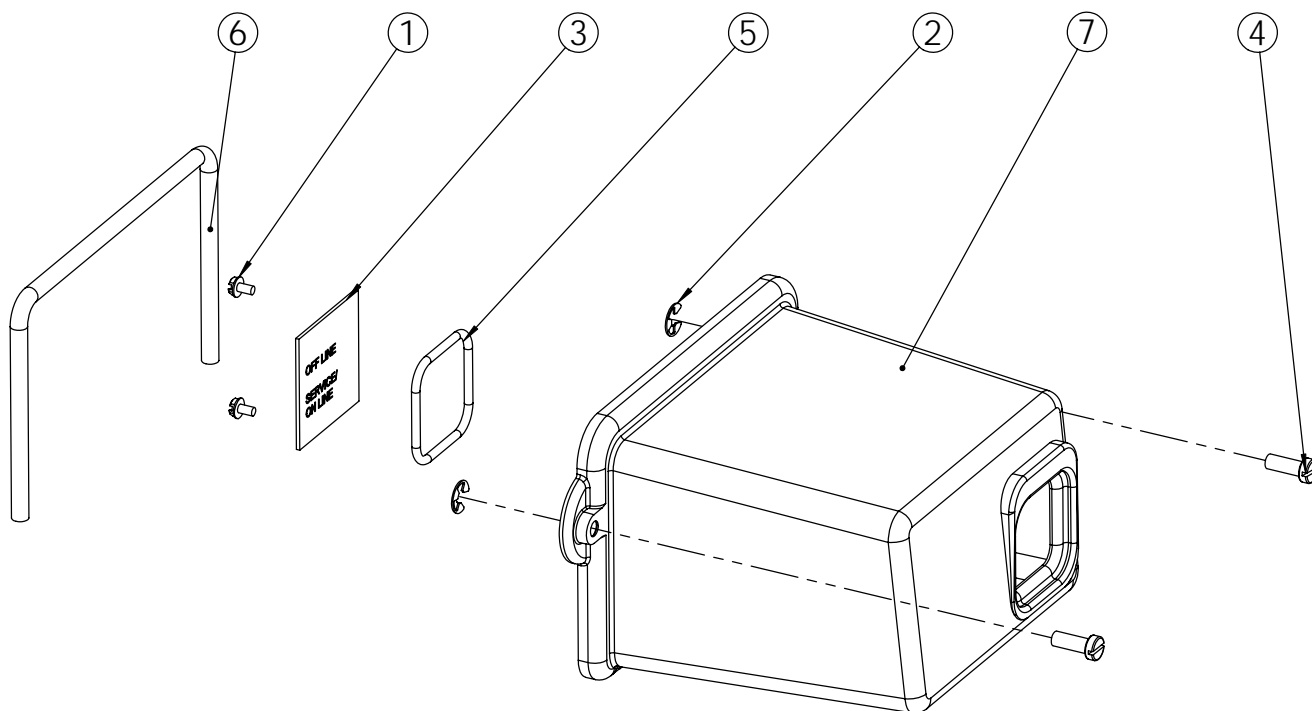


REVISIONS				
ECN	Rev.	Description	Date (dd/mm/yy)	Approved
	J	ADDED VERSIONS -02 & -03	5/03/08	LD



ITEM	PN	DESCRIPTION	26218-01 Qty	26218-02 Qty	26218-03 Qty
1	14430	SCREW,HEX WSH ST, 6 X 1/4	2	2	2
2	BR11981-01	RING, RETAINING	2	2	2
3	BR18724	WINDOW, LOWER COVER	1	1	1
4	BU11989	SCREW TC M6 x 16	2	2	2
5	BU18615	SEAL, Ø 3,4 mm	1	1	1
6	BU18716	SEAL, Ø 6,7mm	1	1	1
7	18708-09	COVER, LOWER,GRAY	1	-	-
7	18708-07	COVER, LOWER,BLUE	-	1	-
7	18708-02	COVER, LOWER,BLACK	-	-	1



COVER ASSY PRO2 LOWER 2900/2910

26218-XX
CHAP. 27