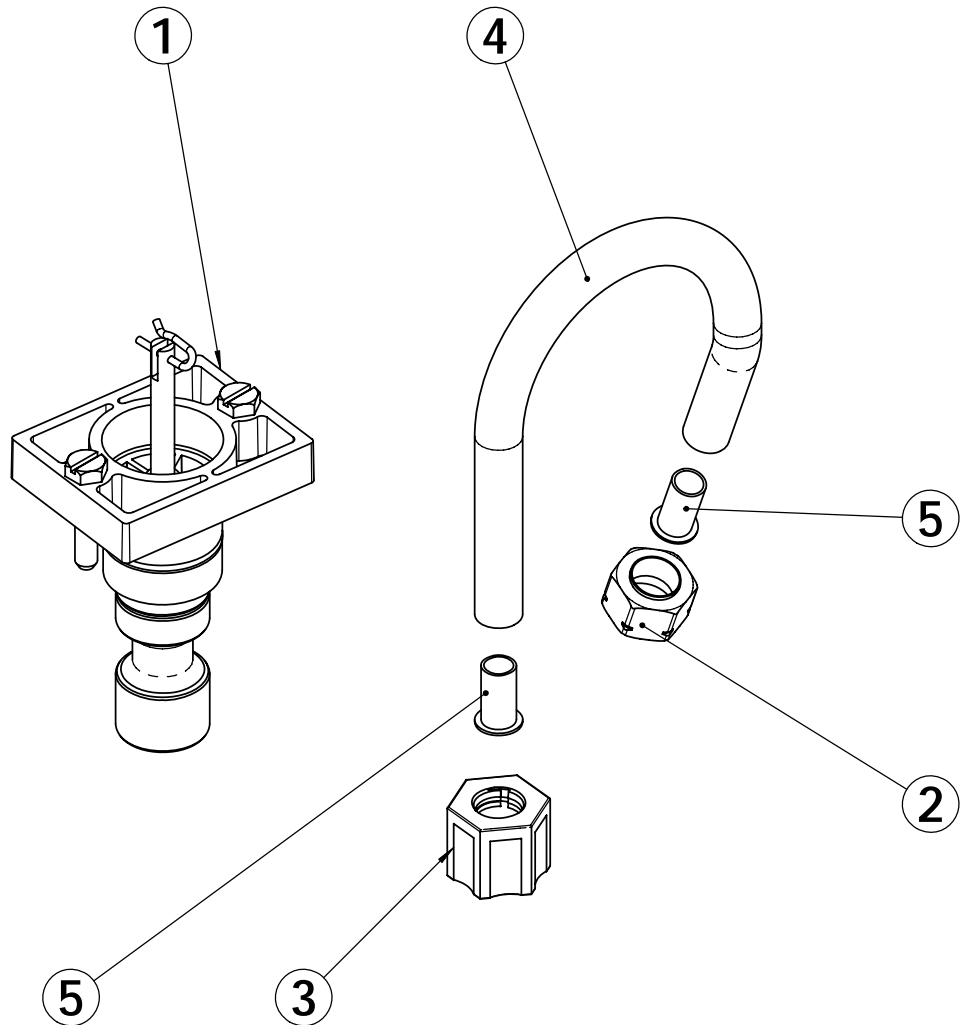


REVISIONS				
ECN	Rev.	Description	Date (dd/mm/yy)	Approved
F5074	F	REDRAWN ON CAD * TITLE DESIGNATION CHANGE * ADD PARTS *	5/11/09	MP/LD



### SPARE PARTS ONLY

ITEM	PART NUMBER	DESCRIPTION	QTE
1	26495-01	KIT NO HARD WATER BYPASS PISTON 2750 FILTER	1
2	BR15414	NUT,2900,W/SLEEVE	1
3	BR41056	NUT ASSY 1/2"PLASTIC	1
4	BR16460	TUBE,BRINE,2850,9.123"	1
5	15415	FITTING, INSERT, 1/2", TUBE	2



KIT PISTON ASSY 2750 NBP 1710

**26495-03**