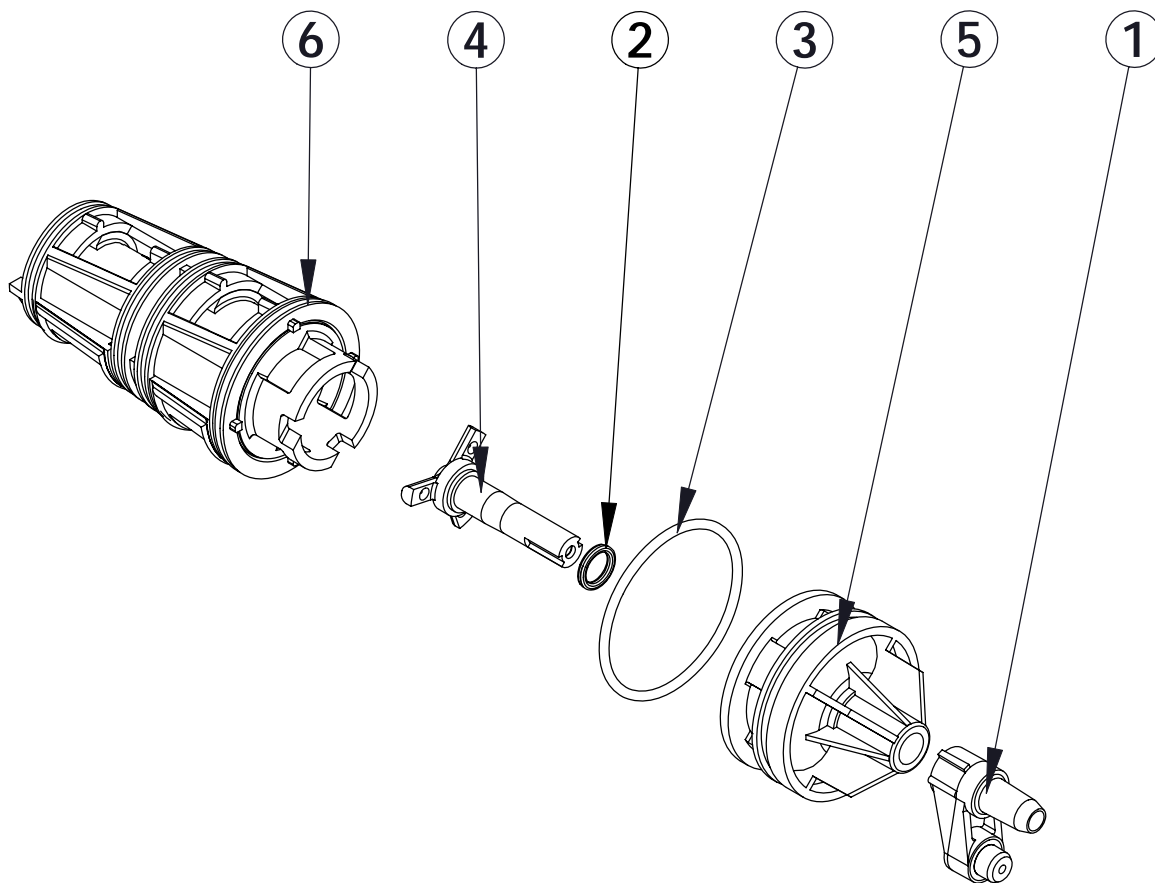


REVISIONS				
ECN	Rev.	Description	Date (dd/mm/yy)	Approved
	C	REDRAW ON SOLIDWORKS, BR18781 WAS 18781	6/02/08	LD
	D	BR18784 was 18784	09/04/2009	LD
F5265	E	OBSOLETE	03/02/2001	MP



**OBSOLETE
SEE ECO F5265**

ITEM	QTY	PART NO.	DESCRIPTION	NOM
1	1	BR18784	CRANK, TRANSFER	LEVIER
2	1	14926-01	QUAD RING "O" RING-012	JOINT A LEVRE
3	1	15820-01	O-RING, -134, 560CD	JOINT TORIQUE
4	1	BR18776-01	SHAFT MOTOR DRIVE	AXE D'ENTRAINEMENT DU ROTOR
5	1	BR18781	PLUG,END,TWINFLO100/8150 LOWER	ETRIER DU ROTOR
6	1	60147	PISTON ASSY 8500 LOWER	PISTON BAS ASSEMBLE 8500



KIT ROTOR PISTON ASSY 8500

26534