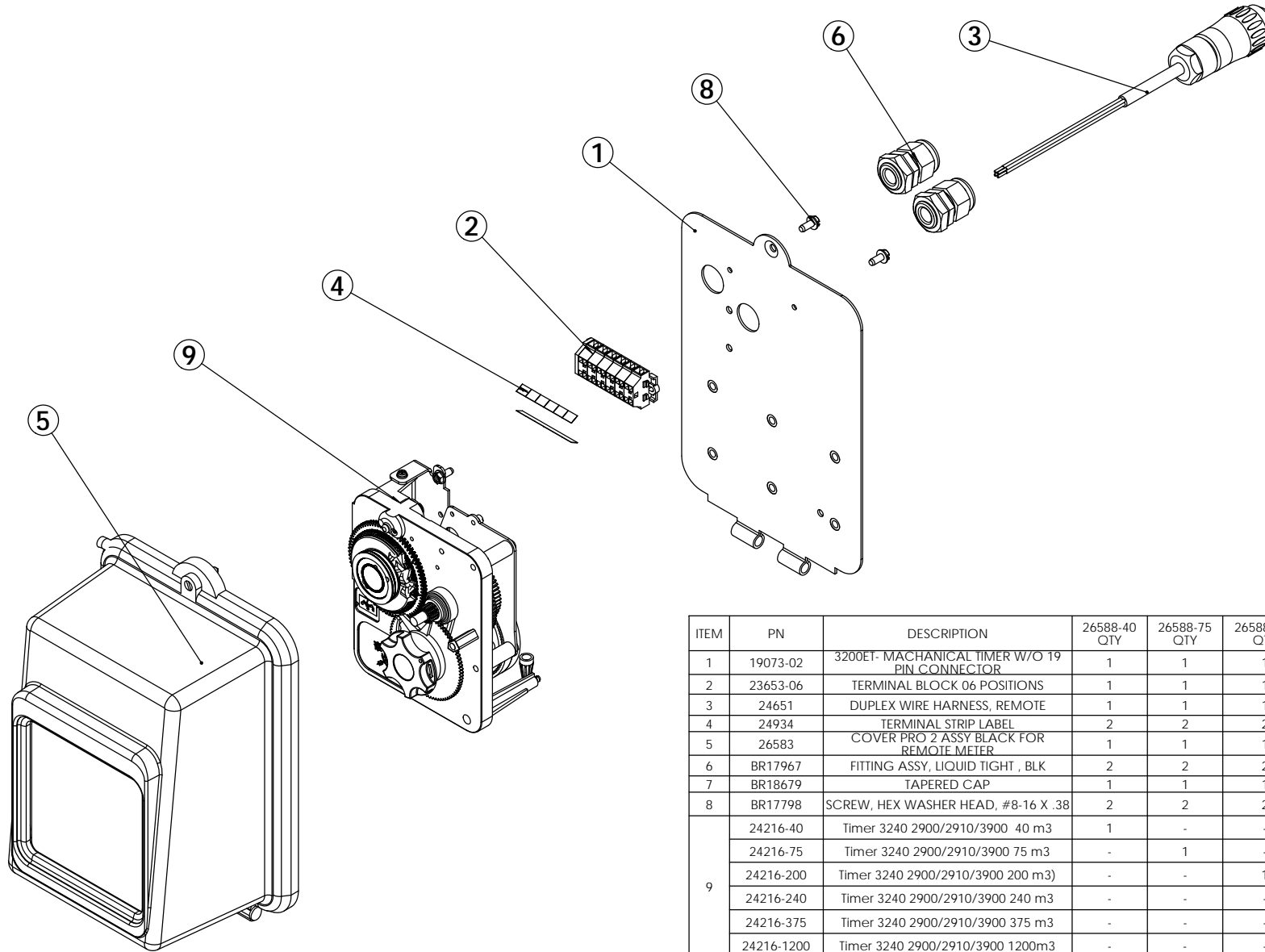


REVISIONS				
ECN	Rev.	Description	Date (dd/mm/yy)	Approved
	A	Created on solidworks	17/06/08	LD
F5448	B	BR17798 (x2) Was BU13296 (x2)	14/02/2012	Man
F....	C	UPDATED/ADDED : 24216-200	02/03/2012	Man



ITEM	PN	DESCRIPTION	26588-40 QTY	26588-75 QTY	26588-200 QTY	26588-240 QTY	26588-375 QTY	26588-1200 QTY
1	19073-02	3200ET- MECHANICAL TIMER W/O 19 PIN CONNECTOR	1	1	1	1	1	1
2	23653-06	TERMINAL BLOCK 06 POSITIONS	1	1	1	1	1	1
3	24651	DUPLEX WIRE HARNESS, REMOTE	1	1	1	1	1	1
4	24934	TERMINAL STRIP LABEL	2	2	2	2	2	2
5	26583	COVER PRO 2 ASSY BLACK FOR REMOTE METER	1	1	1	1	1	1
6	BR17967	FITTING ASSY, LIQUID TIGHT , BLK	2	2	2	2	2	2
7	BR18679	TAPERED CAP	1	1	1	1	1	1
8	BR17798	SCREW, HEX WASHER HEAD, #8-16 X .38	2	2	2	2	2	2
9	24216-40	Timer 3240 2900/2910/3900 40 m3	1	-	-	-	-	-
	24216-75	Timer 3240 2900/2910/3900 75 m3	-	1	-	-	-	-
	24216-200	Timer 3240 2900/2910/3900 200 m3)	-	-	1	-	-	-
	24216-240	Timer 3240 2900/2910/3900 240 m3	-	-	-	1	-	-
	24216-375	Timer 3240 2900/2910/3900 375 m3	-	-	-	-	1	-
	24216-1200	Timer 3240 2900/2910/3900 1200m3	-	-	-	-	-	1



PH RM Duplex #6 & 2910 24V/50 Hz (Specify m3)

26588-XX