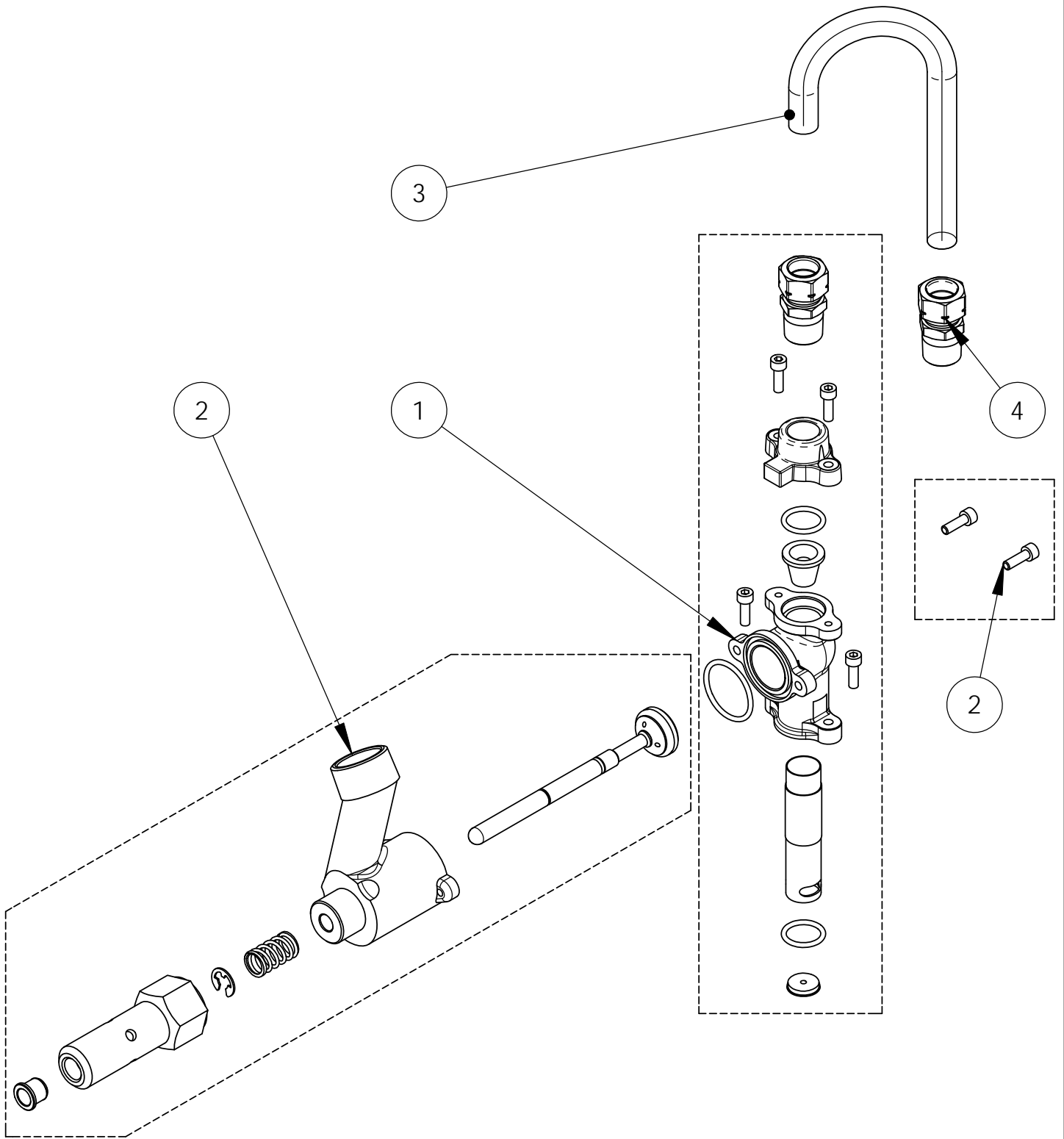


REVISIONS				
ECN	Rev.	Description	Date (dd/mm/yy)	Approved
	B	REDRAWN ON CAD SYSTEM	20/10/11	MAN



ITEM	P/N	QTY	DESCRIPTION
1	26219	1	1800 BV INJECTOR ASSY ASSY 3150/3900 UF
2	26754	1	1800 BRINE VALVE ASSY 3150/3900
3	BR18703	1	TUBE, BRINE, 5/8 OD
4	18702	1	FITTING, TUBE 1/2 NPT 5/8



1800 Brine Valve Up Flow Retrofit Kit (Specify Size)

**26652**