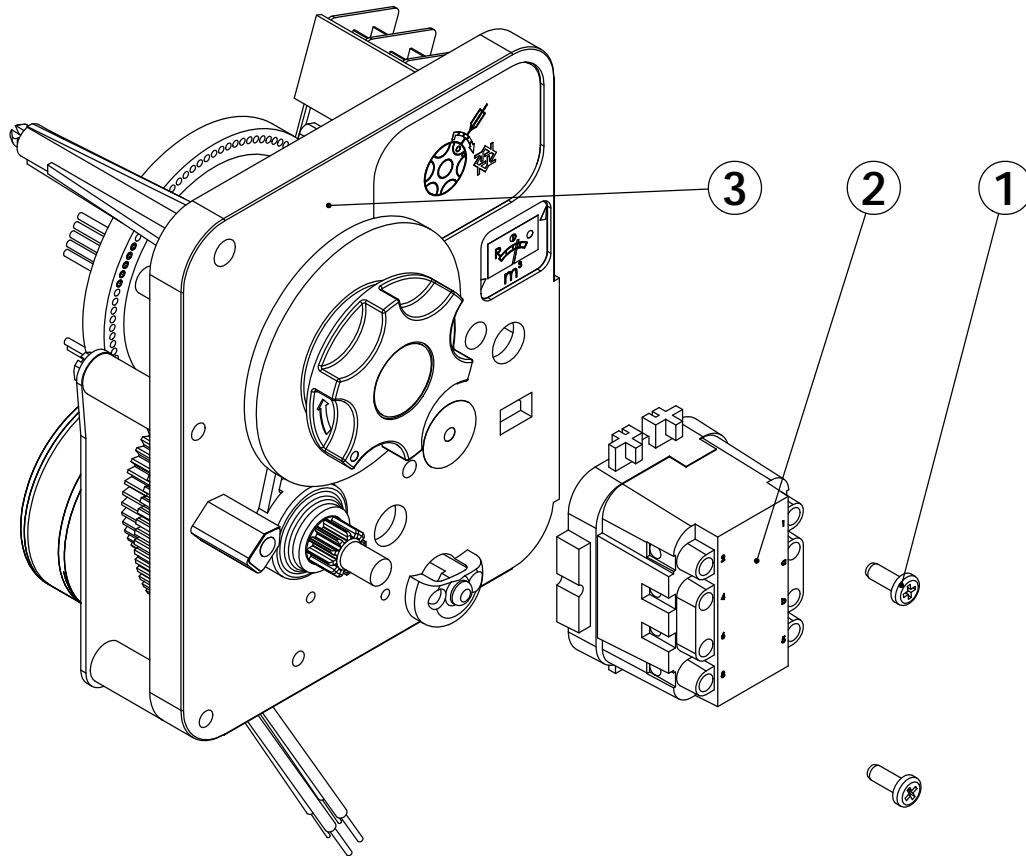


REVISIONS				
ECN	Rev.	Description	Date (dd/mm/yy)	Approved
	B	REDRAW ON SOLIDWORKS	18/03/08	LD



ITEM	PN	DESCRIPTION	QTE
1	19160	SCREW, #6-32 X 3/8 PAN HEAD	2
2	28248	TELERUPTER HARNESS	1
3	VCTIMER	TIMER 3230 / PULSE IMMEDIATE TIMER	1



TIMER 3231

26660
CHAP. 24