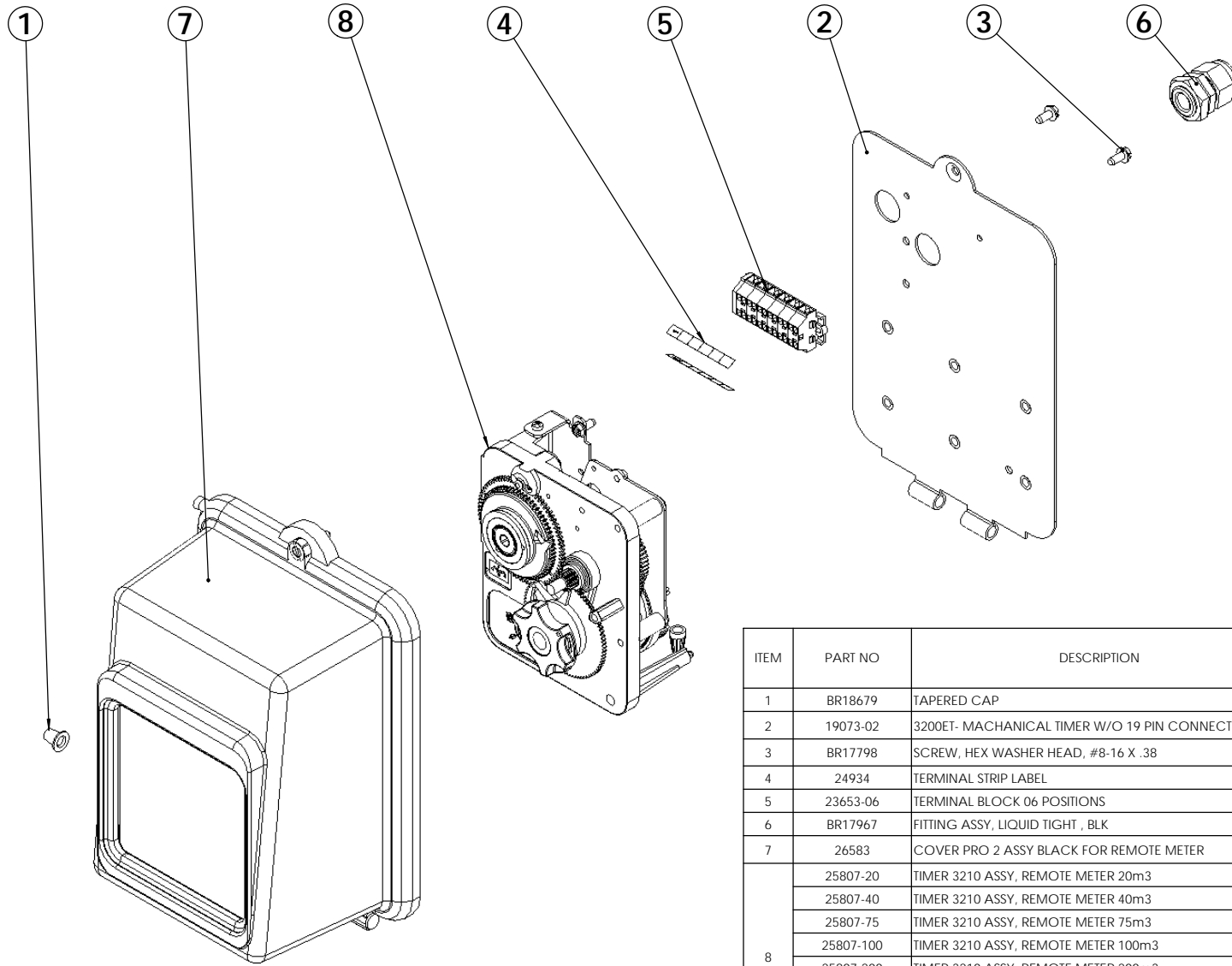


REVISIONS				
ECN	Rev.	Description	Date	Approved
F4979	B	Redrawn on CAD / Add -40/-75/-100/-200/-240/-375/-1200 m3 versions	28/04/09	LD
F5448	C	BR17798 (x2) was BU13296 (x2)	14/02/2012	MAN



ITEM	PART NO	DESCRIPTION	27054-20	27054-40	27054-75	27054-100	27054-200	27054-240	27054-375	27054-1200
			Qty	Qty	Qty	Qty	Qty	Qty	Qty	Qty
1	BR18679	TAPERED CAP	1	1	1	1	1	1	1	1
2	19073-02	3200ET- MACHANICAL TIMER W/O 19 PIN CONNECTOR	1	1	1	1	1	1	1	1
3	BR17798	SCREW, HEX WASHER HEAD, #8-16 X .38	2	2	2	2	2	2	2	2
4	24934	TERMINAL STRIP LABEL	2	2	2	2	2	2	2	2
5	23653-06	TERMINAL BLOCK 06 POSITIONS	1	1	1	1	1	1	1	1
6	BR17967	FITTING ASSY, LIQUID TIGHT , BLK	1	1	1	1	1	1	1	1
7	26583	COVER PRO 2 ASSY BLACK FOR REMOTE METER	1	1	1	1	1	1	1	1
8	25807-20	TIMER 3210 ASSY, REMOTE METER 20m3	1	-	-	-	-	-	-	-
	25807-40	TIMER 3210 ASSY, REMOTE METER 40m3	-	1	-	-	-	-	-	-
	25807-75	TIMER 3210 ASSY, REMOTE METER 75m3	-	-	1	-	-	-	-	-
	25807-100	TIMER 3210 ASSY, REMOTE METER 100m3	-	-	-	1	-	-	-	-
	25807-200	TIMER 3210 ASSY, REMOTE METER 200m3	-	-	-	-	1	-	-	-
	25807-240	TIMER 3210 ASSY, REMOTE METER 240m3	-	-	-	-	-	1	-	-
	25807-375	TIMER 3210 ASSY, REMOTE METER 375m3	-	-	-	-	-	-	1	-
	25807-1200	TIMER 3210 ASSY, REMOTE METER 1200m3	-	-	-	-	-	-	-	1



PH REMOTE METER SIMPLEX MECHANICAL (Specify Timer)

27054-XX