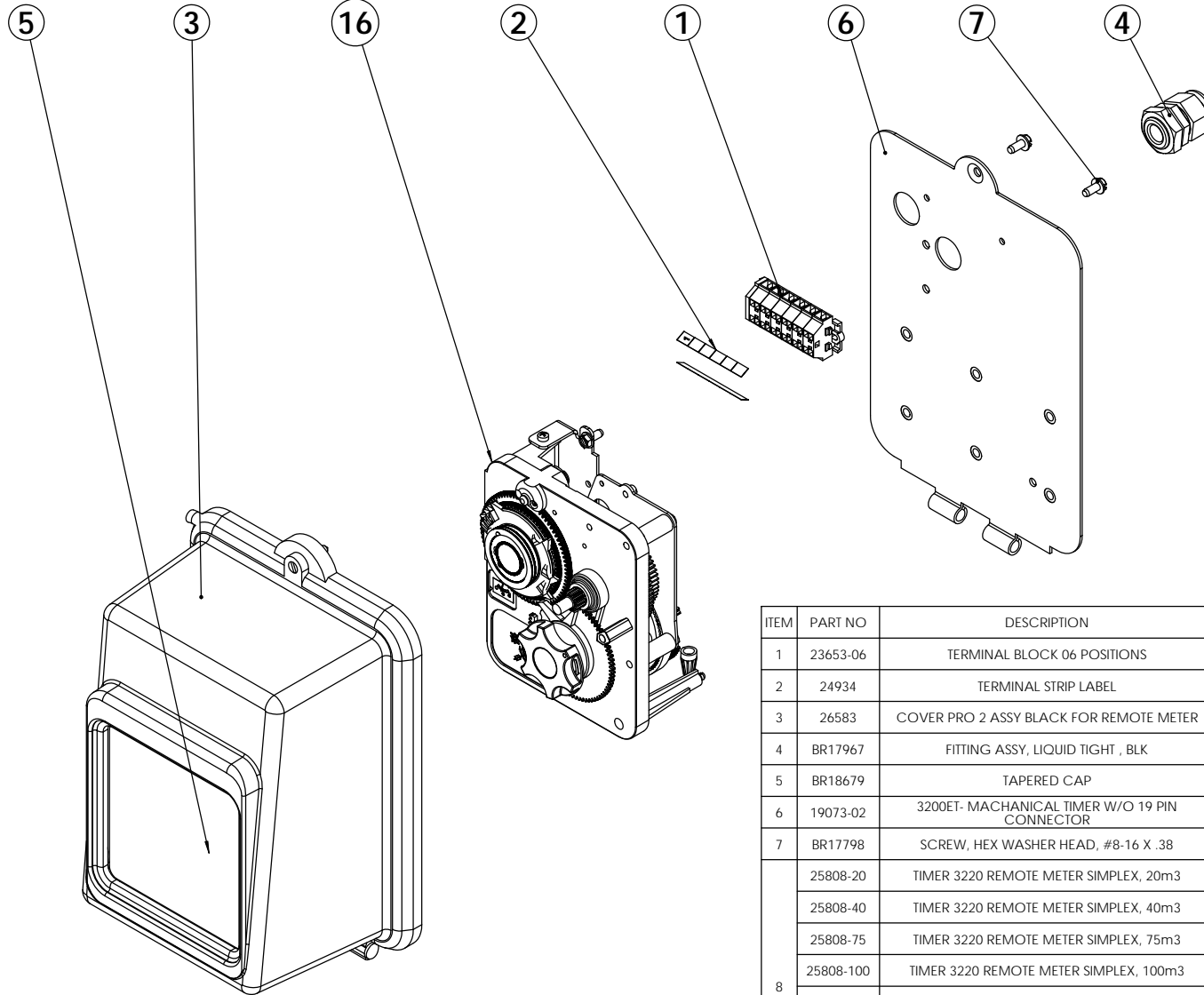


REVISIONS				
ECN	Rev.	Description	Date	Approved
F,,,,	B	Redrawn on CAD / Add -40/-75/-100/-200/-240/-375/-1200 m3 versions	24/04/12	MAN



ITEM	PART NO	DESCRIPTION	27067-20	27067-40	27067-75	27067-100	27067-200	27067-240	27067-375	27067-1200
1	23653-06	TERMINAL BLOCK 06 POSITIONS	1	1	1	1	1	1	1	1
2	24934	TERMINAL STRIP LABEL	2	2	2	2	2	2	2	2
3	26583	COVER PRO 2 ASSY BLACK FOR REMOTE METER	1	1	1	1	1	1	1	1
4	BR17967	FITTING ASSY, LIQUID TIGHT , BLK	1	1	1	1	1	1	1	1
5	BR18679	TAPERED CAP	1	1	1	1	1	1	1	1
6	19073-02	3200ET- MACHANICAL TIMER W/O 19 PIN CONNECTOR	1	1	1	1	1	1	1	1
7	BR17798	SCREW, HEX WASHER HEAD, #8-16 X .38	2	2	2	2	2	2	2	2
8	25808-20	TIMER 3220 REMOTE METER SIMPLEX, 20m3	1	-	-	-	-	-	-	-
	25808-40	TIMER 3220 REMOTE METER SIMPLEX, 40m3	-	1	-	-	-	-	-	-
	25808-75	TIMER 3220 REMOTE METER SIMPLEX, 75m3	-	-	1	-	-	-	-	-
	25808-100	TIMER 3220 REMOTE METER SIMPLEX, 100m3	-	-	-	1	-	-	-	-
	25808-200	TIMER 3220 REMOTE METER SIMPLEX, 200m3	-	-	-	-	1	-	-	-
	25808-240	TIMER 3220 REMOTE METER SIMPLEX, 240m3	-	-	-	-	-	1	-	-
	25808-375	TIMER 3220 REMOTE METER SIMPLEX, 375m3	-	-	-	-	-	-	1	-
	25808-1200	TIMER 3220 REMOTE METER SIMPLEX, 1200m3	-	-	-	-	-	-	-	1



POWER HEAD REMOTE METER SIMPLEX IMMEDIATE (Specify m3)

27067-XX