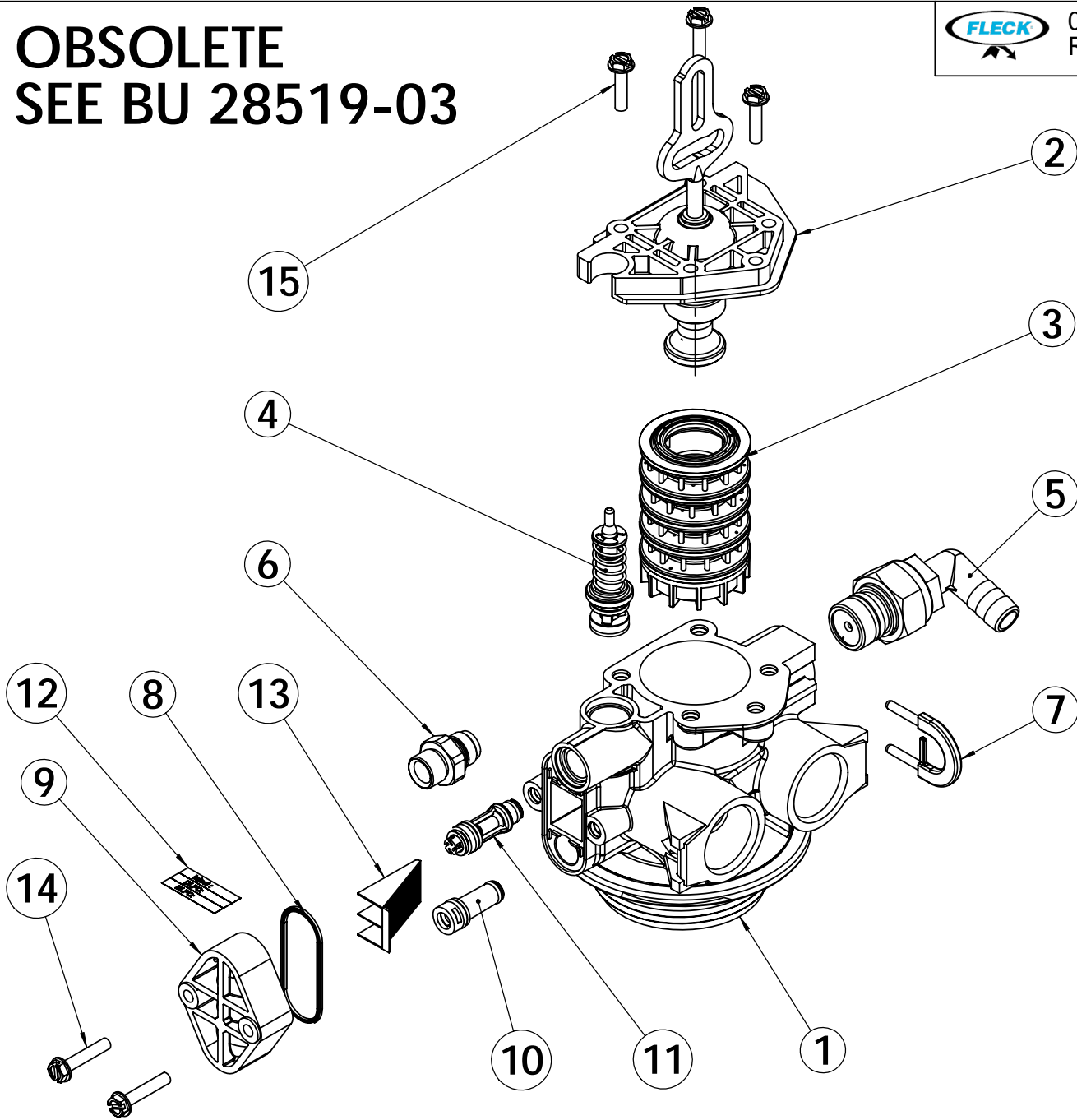


OBSOLETE SEE BU 28519-03



08/01/2008
Rev.E



| ITEM | QTY | PART NO. | DESCRIPTION | NOM |
|------|-----|----------|---|--|
| 1 | 1 | BU26073 | VALVE BODY 5000 ASSY W/O MIXING | ENSEMBLE CORPS DE VANNE 5000 SANS MIXING |
| 2 | 1 | BU26079 | DOWN FLOW PISTON ASSY 5000 | PISTON DF ASSY 5000 |
| 3 | 1 | 26045 | SEALS AND SPACERS KIT ASSY 5000 | KIT JOINTS/ENTRETOISES Pour 5000 |
| 4 | 1 | 24114 | 1600 BRINE VALVE ASSY 4600-5600 | VANNE A SAUMURE 1600 pour 4600-5600 |
| 5 | 1 | 24078-xx | xx GPM D.L.F.C HOSE BARB ASSY 2510/5000 | xx GPM D.L.F.C HOSE BARB ASSY 2510/5000 |
| 6 | 1 | 18332-xx | BLFC 3/8" -xx GPM ASSY (Specify Size) | BLFC 3/8" -xx GPM ASSEMBLE (Specifier la Taille) |
| 7 | 1 | 18312 | RETAINER, DRAIN | CLIP DE RETENUE |
| 8 | 1 | BR18301 | SEAL, INJECTOR, 4200 | JOINT |
| 9 | 1 | 18277 | CAP, INJECTOR | COUVERCLE, INJECTEUR |
| 10 | 1 | 18276-01 | INJECTOR PLUG ASSY 5000/8500 | BOUCHON INJECTEUR ASSEMBLE |
| 11 | 1 | BR18272 | Injector assy 1600 5000 SE/ 8500 # | Injector assy 1600 5000 SE/ 8500 # |
| 12 | 1 | 26110 | INJECTOR LABEL | ETIQUETTE INJECTEUR |
| 13 | 1 | 18271 | SCREEN INJECTOR | FILTRE D'INJECTEUR |
| 14 | 2 | 18262 | SCREW, HEX WASHER HEAD, #10-24 X 1.00 | VIS |
| 15 | 3 | 18261 | SCREW, HEH WASHER HEAD,#10-24 X .81 | VIS |



VALVE BODY ASSY NO MIXING - 5000 DF

26077
CHAP. 25