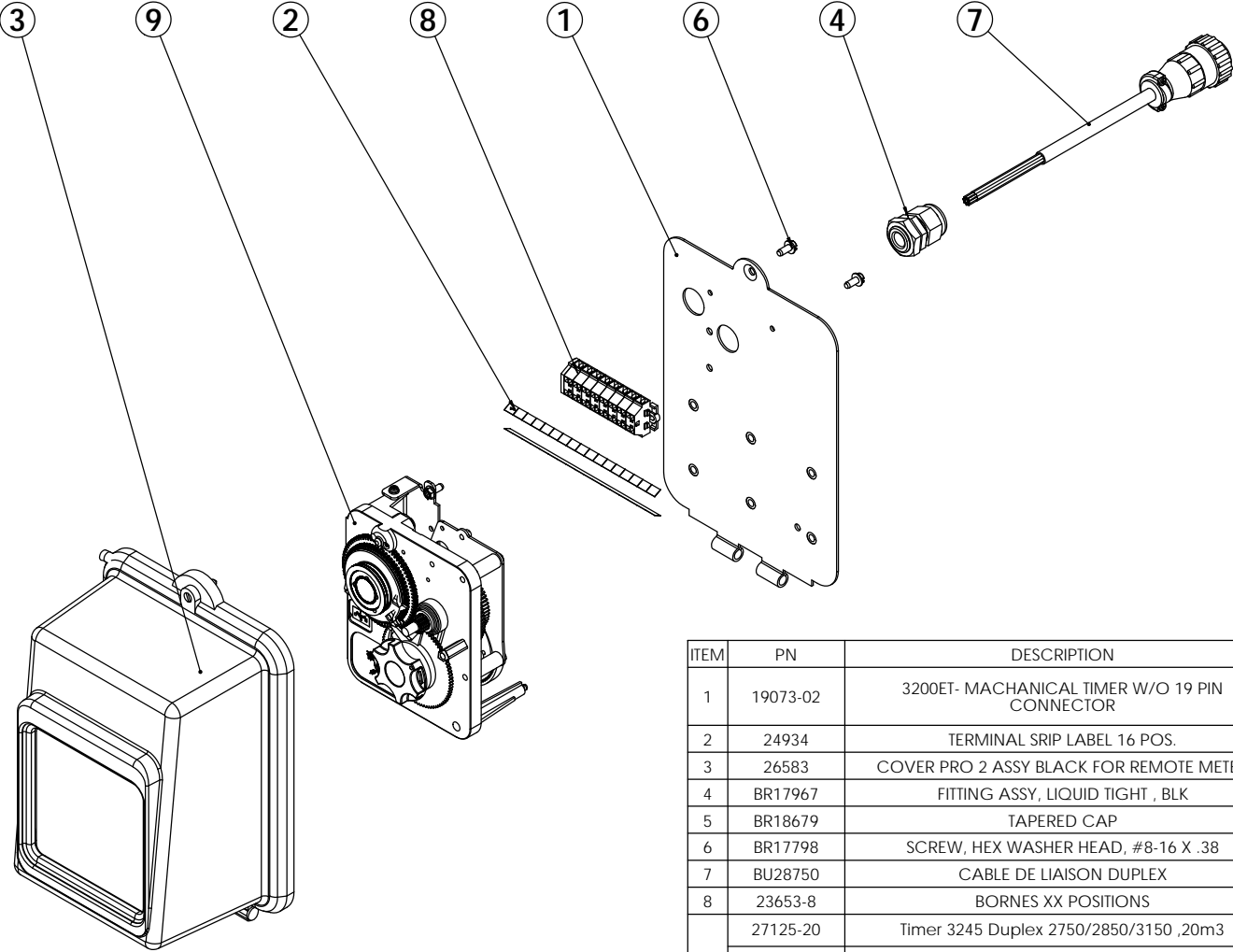


REVISIONS				
ECN	Rev.	Description	Date (dd/mm/yy)	Approved
F	A	Created on solidworks	18/02/12	MAN



ITEM	PN	DESCRIPTION	27126-20	27126-40	27126-75	27126-100	27126-200	27126-375
1	19073-02	3200ET- MACHANICAL TIMER W/O 19 PIN CONNECTOR	1	1	1	1	1	1
2	24934	TERMINAL SRIP LABEL 16 POS.	2	2	2	2	2	2
3	26583	COVER PRO 2 ASSY BLACK FOR REMOTE METER	1	1	1	1	1	1
4	BR17967	FITING ASSY, LIQUID TIGHT , BLK	1	1	1	1	1	1
5	BR18679	TAPERED CAP	1	1	1	1	1	1
6	BR17798	SCREW, HEX WASHER HEAD, #8-16 X .38	2	2	2	2	2	2
7	BU28750	CABLE DE LIAISON DUPLEX	1	1	1	1	1	1
8	23653-8	BORNES XX POSITIONS	1	1	1	1	1	1
9	27125-20	Timer 3245 Duplex 2750/2850/3150 ,20m3	1	-	-	-	-	-
	27125-40	Timer 3245 Duplex 2750/2850/3150 ,40m3	-	1	-	-	-	-
	27125-75	Timer 3245 Duplex 2750/2850/3150 ,75m3	-	-	1	-	-	-
	27125-100	Timer 3245 Duplex 2750/2850/3150 ,100m3	-	-	-	1	-	-
	27125-200	Timer 3245 Duplex 2750/2850/3150 ,200m3	-	-	-	-	1	-
	27125-375	Timer 3245 Duplex 2750/2850/3150 ,375m3	-	-	-	-	-	1



Power Head Remote Meter Duplex #7, (Specify m3)

27126-01