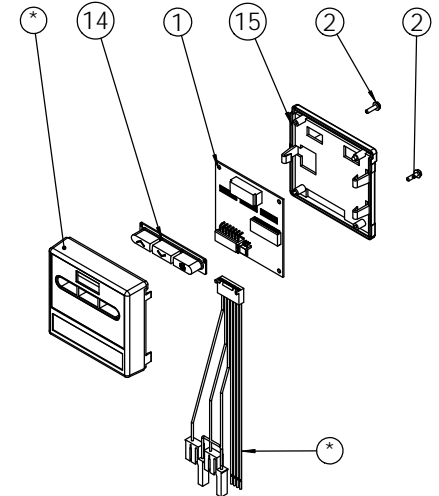


| ITEM | PN         | DESCRIPTION   | SE DF    | SE UF    | FILTER SE | 9000 DF  | 9000 UF  |
|------|------------|---|----------|----------|-----------|----------|----------|
|      |            |   | 27173-01 | 27173-02 | 27173-03  | 27173-04 | 27173-06 |
|      |            |   | QTY      | QTY      | QTY       | QTY      | QTY      |
| 1    | BR40283    | CIRCUIT BOARD, SE TIMER   | 1        | 1        | 1         | 1        | 1        |
| 2    | BU13296    | SCREW #6-20 * 0.50 long   | 4        | 4        | 4         | 2        | 2        |
| 3    | 11384      | SCREW   | 4        | 4        | 4         | 2        | 2        |
| 4    | BR10300    | SCREW, SLOT HEX WSH, 8-18 X 3/8                                 | 2        | 2        | 2         | 2        | 2        |
| 5    | BU27808    | METER CABLE   | 1        | 1        | 1         | 1        | 1        |
| 6    | BR14265    | CLIP, SPRING  | 1        | 1        | 1         | 1        | 1        |
| 7    | 17904      | BUSHING HEYCO 1/2   | 1        | 1        | 1         | -        | -        |
| 8    | BR17749-00 | RELAY SPDT,24 VAC COIL  | 1        | 1        | 1         | -        | -        |
| 9    | BU21363    | SCREW TH M4x12  | 1        | 1        | 1         | -        | -        |
| 10   | 27172      | STAND OFF TIMER 2510  | 1        | 1        | 1         | -        | -        |
| 10   | 26983      | STAND OFF TIMER 9000 SE   | -        | -        | -         | 1        | 1        |
| 11   | 27168      | TIMER BRACKET   | 1        | 1        | 1         | -        | -        |
| 11   | 26982      | MOUNTING BRACKET TIMER  | -        | -        | -         | 1        | 1        |
| 12   | 27167      | HARNESS POWER SE  | 1        | 1        | 1         | -        | -        |
| 12   | BU28528    | HARNESS POWER SE TIMER 9000/9500                                | -        | -        | -         | 1        | 1        |
| 13   | 28226-01   | COVER FRONT PANEL & LABEL SE DF                                 | 1        | -        | -         | 1        | -        |
| 13   | 28226-02   | COVER FRONT PANEL & LABEL SE UF 2750/2900/5000/5600             | -        | 1        | -         | -        | -        |
| 13   | 28226-03   | COVER FRONT PANEL & LABEL SE FILTER DF 2510/2750/2850/2900/5600 | -        | -        | 1         | -        | -        |
| 13   | 28226-06   | COVER FRONT PANEL & LABEL SE UF 9000                            | -        | -        | -         | -        | 1        |
| 14   | BR40376    | BUTTON, CONDUCTIVE RUBBER                                       | 1        | 1        | 1         | 1        | 1        |
| 15   | BR19889    | HOUSING, CIRCUIT BOARD  | 1        | 1        | 1         | 1        | 1        |
| 16   | BR13881    | BRACKET, HINGE TIMER  | 1        | 1        | 1         | 1        | 1        |

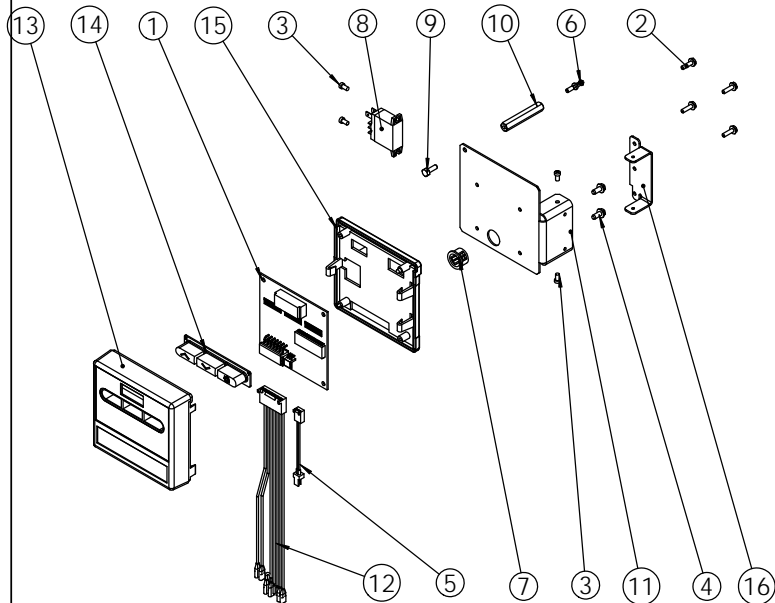
| REVISIONS |      |   |                 |          |
|-----------|------|---|-----------------|----------|
| ECN       | Rev. | Description                                   | Date (dd/mm/yy) | Approved |
|           | K    | ADDED CONFIGURATIONS -02, -03, -04, -05 & -06 | 3/06/08         | LD       |
|           | L    | BR40376 was 40376                             | 8/09/08         | LD       |
|           | M    | BR19889 was 19889                             | 17/02/2009      | MP/LD    |
| F5265     | N    | 27173-05 Version : OBSOLETE                   | 08/02/2011      | MAN      |

### 8500 TIMER

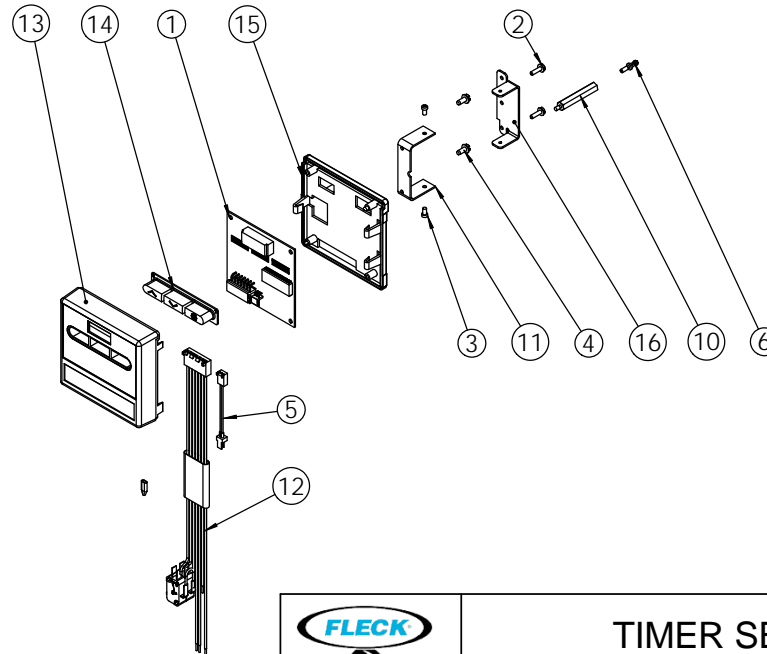


27173-05  
OBSOLETE SEE ECO F5265

### INDUSTRIAL TIMER



### TWIN TIMER



TIMER SE ASSY

27173-XX