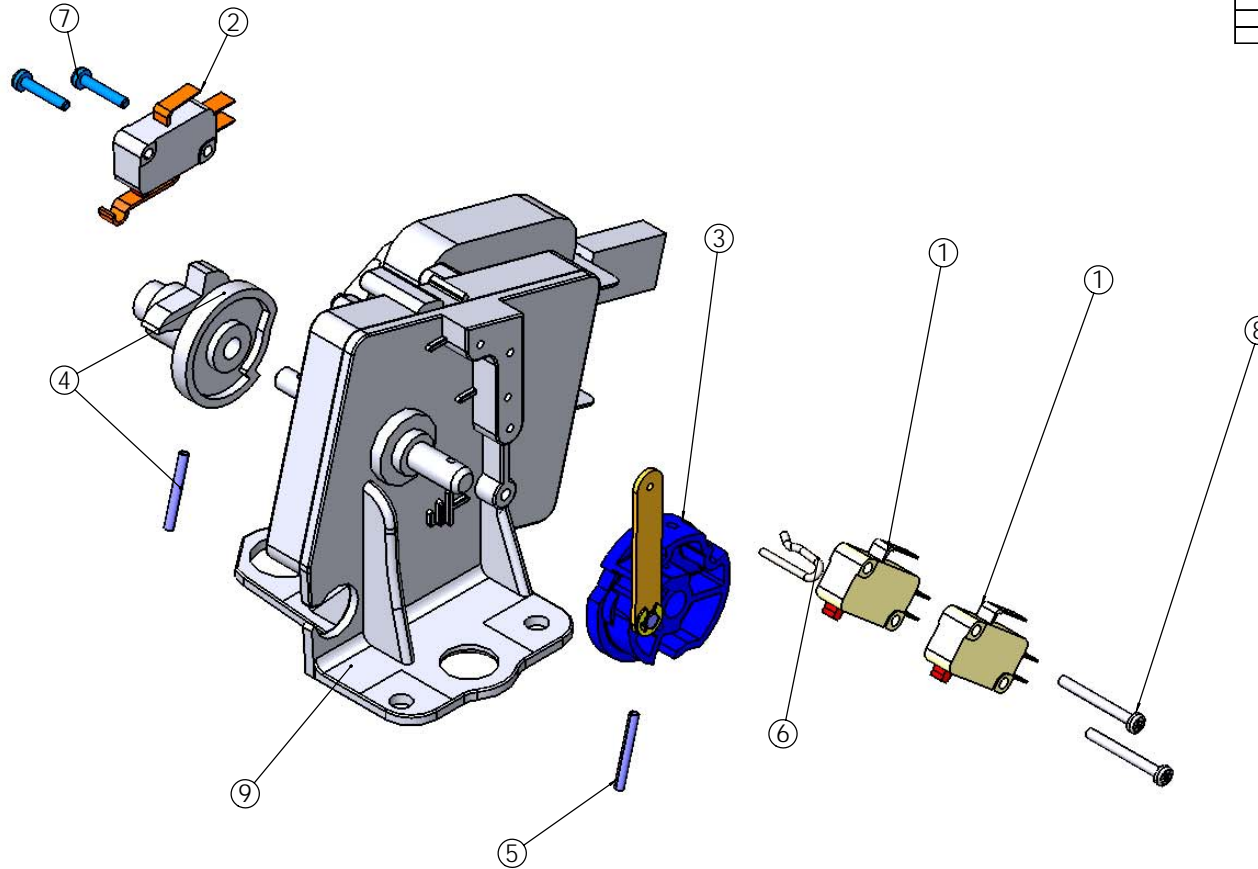


REVISIONS					
ECN	Rev.	Description	Date (dd/mm/yy)	Approved	
F4695	N	Redrawn : Suppress Insulators * BR41544 / BR41543 New Motors for 24v and 115 Volts ** Versions -03 / -13 / - 23 keep the 40386 Motor **	14/03/08	MP/LD	
F4752	P	BR10909 was 10909	20/05/2008	MP/LD	
F4826	Q	UPDATED 28389'S DRAWING	02/09/2008	MP/LD	
	R	Created 24267-31, 24267-32, 24267-33	08/12/2008	LD	
	S	BR10872 was 10872	11/12/2008	LD	
4891	T	Replaced 24215, 24265, 40386, 11826-02 by BR41545	18/12/2008	LD	



24 Volts Versions:

27204-01 / 27204-11 / 27204-21 / 27204-31

115 Volts Versions:

27204-02 / 27204-12 / 27204-22 / 27204-32

230 Volts Versions:

27204-03 / 27204-13 / 27204-23 / 27204-33

ITEM	PART N°.	DESCRIPTION	2510 / 2750 / 2850 With SWITCH DOWN FLOW Valves			2510 / 2750 / 2850 Without Switch DOWN FLOW Valves			2510 / 2750 / 2850 / 2910 DF FILTER Valves			2910 DF Valves		
			27204-01 (24 V)	27204-02 (115 V)	27204-03 (230 V)	27204-11 (24 V)	27204-12 (115 V)	27204-13 (230 V)	27204-21 (24 V)	27204-22 (115 V)	27204-23 (230 V)	27204-31 (24 V)	27204-32 (115 V)	27204-33 (230 V)
2	10896	MICROSWITCH	1	1	1	-	-	-	-	-	1	1	1	
3	24267-02	DRIVE CAM S.T.F ASSY 2510, 2750,2850	1	1	1	1	1	1	1	1	-	-	-	
3	24267-03	DRIVE CAM S.T.F ASSY 2910	-	-	-	-	-	-	-	-	1	1	1	
4	28389	KIT CAM DOWN FLOW & ROLL PIN FOR 2510/2750/2850/2870/2910	1	1	1	1	1	1	-	-	1	1	1	
5	BR10338	PIN, ROLL., 2900/3900	1	1	1	1	1	1	1	1	1	1	1	
6	BR10909	PIN, CONNECTING ROD SPRING	1	1	1	1	1	1	1	1	1	1	1	
7	BR11805	SCREW TC N°4-40 UNC 2A	2	2	2	-	-	-	-	-	2	2	2	
8	BR14923	SCREW,PAN HD MACH,4-40 X 1	2	2	2	2	2	2	2	2	2	2	2	
9	BR41544	MOTOR, DRIVE, 24V/ 50-60 HZ	1	-	-	1	-	1	-	1	-	1	-	
9	BR41543	MOTOR, DRIVE, 115V, 60 Hz	-	1	-	-	1	-	-	1	-	1	-	
10	BR41545	MOTOR, DRIVE, 230V/ 50-60 HZ	-	-	1	-	-	1	-	-	-	-	1	

ROHS NOTES :
THE COMPONENT, PART, OR ASSEMBLY DESCRIBED IN THIS DOCUMENT MUST COMPLY WITH THE FOLLOWING EU (EUROPEAN UNION) DIRECTIVES:
ROHS DIRECTIVE 2002/95/EC, WEE DIRECTIVE 2002/96/EC, AND ELV DIRECTIVE 2000/53/EC.
THESE DIRECTIVES RESTRICT THE USE OF LEAD, CADMIUM, MERCURY, CHROMIUM, PBB, PBDE, AND OTHER HAZARDOUS MATERIALS.
SEE THE TERMS AND CONDITIONS OF THE CONTRACT (PURCHASE ORDER) FOR MORE INFORMATION.

All drawings and specifications as well as processes, materials, compounds and other similar criteria are to be strictly followed to. No modifications allowed without prior written approval.

THIRD ANGLE PROJECTION

Denotes CRITICAL DIMENSION

Denotes REVISION

Material: N/A

Title: DRIVE MOTOR ASSY 2510/2750/2850/2910 - xxx Volts DOWN FLOW

Drawn: MAN Date: 13/03/2008 Scale: 1:1 Filename: 27204-XX Weight: kg: X Sheet: 1 of 1

Approved: LD Date: 13/03/2008 Size: A2 Part #: 27204-XX Draw #:

TOLERANCES UNLESS OTHERWISE SPECIFIED:
2.0
3.0
4.0
ANGULAR
±0.25 mm
±0.5 mm
±1 mm
Break all opposed sharp corners
R2.5 R1.5

DO NOT SCALE DRAWING
DIMENSIONS - MM (inch)

This drawing is the exclusive property of Pentair Water France. It may not be reproduced in any form without the written permission of Pentair Water France.