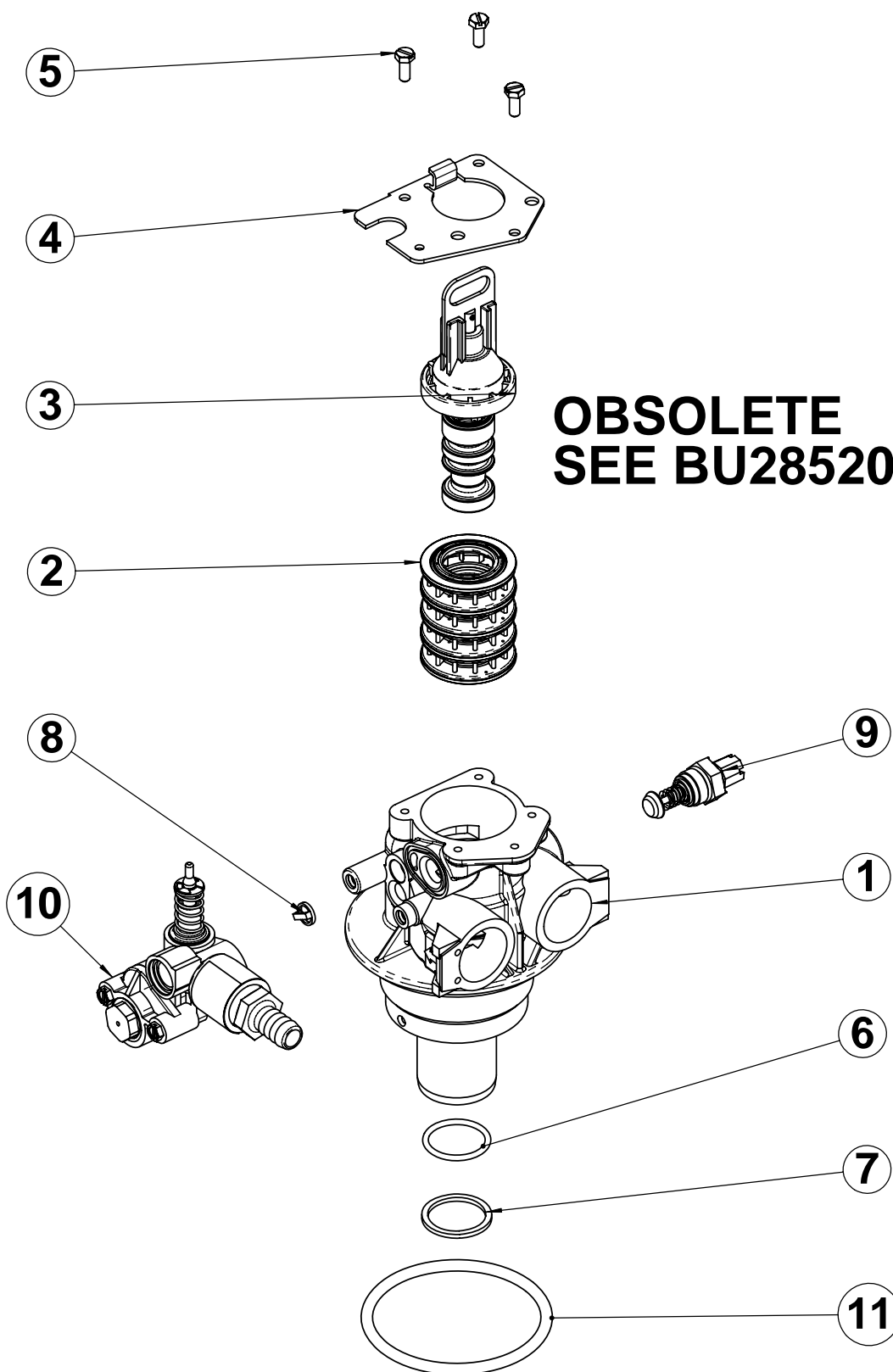


**OBSOLETE
SEE BU28520-07 + 18107**



ITEM	QTY	PART NO.	DESCRIPTION	NOM
1	1	18137	VALVE BODY & ADAPTER UP-FLOW ASSY	ENSEMBLE CORPS DE VANNE & ADAPTEUR UP-FLOW
2	1	24115	SEAL AND SPACER KIT ASSY 5600/4600 / 9000 (Upper Seals & Spacers Kit)	ENSEMBLE JOINTS ET ENTRETOISES
3	1	25593	PISTON UP- FLOW ASSY	PISTON UP- FLOW ASSEMBLE Micro-P
4	1	BU13546	RETAINER, END PLUG	PLAQUE DE RETENUE
5	3	BU12112	HEX. HD. MACHINE SCREW #10-24	TH #10-24, VIS
6	1	BU13304-01	O-RING, 26,64 x 2,62	JOINT TORIQUE 26,64*2,62
7	1	BU13030	RETAINER, DISTRIBUTOR TUBE O-RING	BAGUE D'ARRET
8	1	BR13497	DISPERSER, AIR, 5600	DEFLECTEUR D'AIR
9	1	24509-01	NEW PROPORTIONAL MIXING ASSY	MITIGEUR PROPORTIONNEL ASSEMBLE
10	1	18107	INJECTOR ASSY 5665 C-R-I & 6665	INJECTEUR ASSEMBLE 5665 C-R-I & 6665
11	1	BU12281-01	O-RING -338	JOINT TORIQUE -338