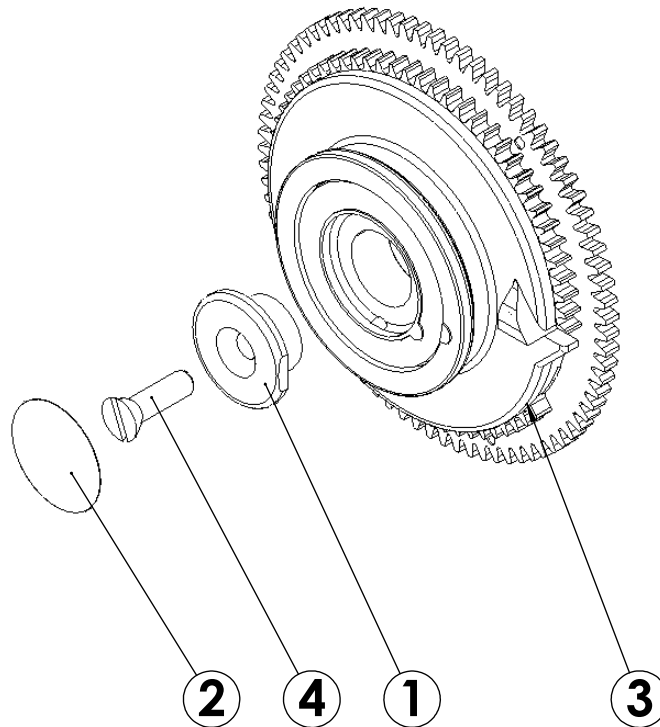


REVISIONS				
ECN	Rev.	Description	Date (dd/mm/yy)	Approved
	B	Redraw on solidworks without change	12/06/08	LD



ITEM	QTY	PART NO.	DESCRIPTION	NOM
1	1	13806	PROGRAM WHEEL RETAINER	BAGUE DE RETENUE
2	1	18191	PROGRAM WHEEL LABEL DECAL	ETIQUETTE
3	1	27824	PROGRAM WHEEL ASSY 8m3 BLUE LABEL	PROGRAM WHEEL ASSY 8m3 BLUE LABEL
4	1	BU13748	SCREW 6-20 X 1/2" FLT HEAD TYPE 25 STAINLESS STEEL	VIS



PROGRAM WHEEL 8m3 ASSY BLUE LABEL

27822
CHAP. 23