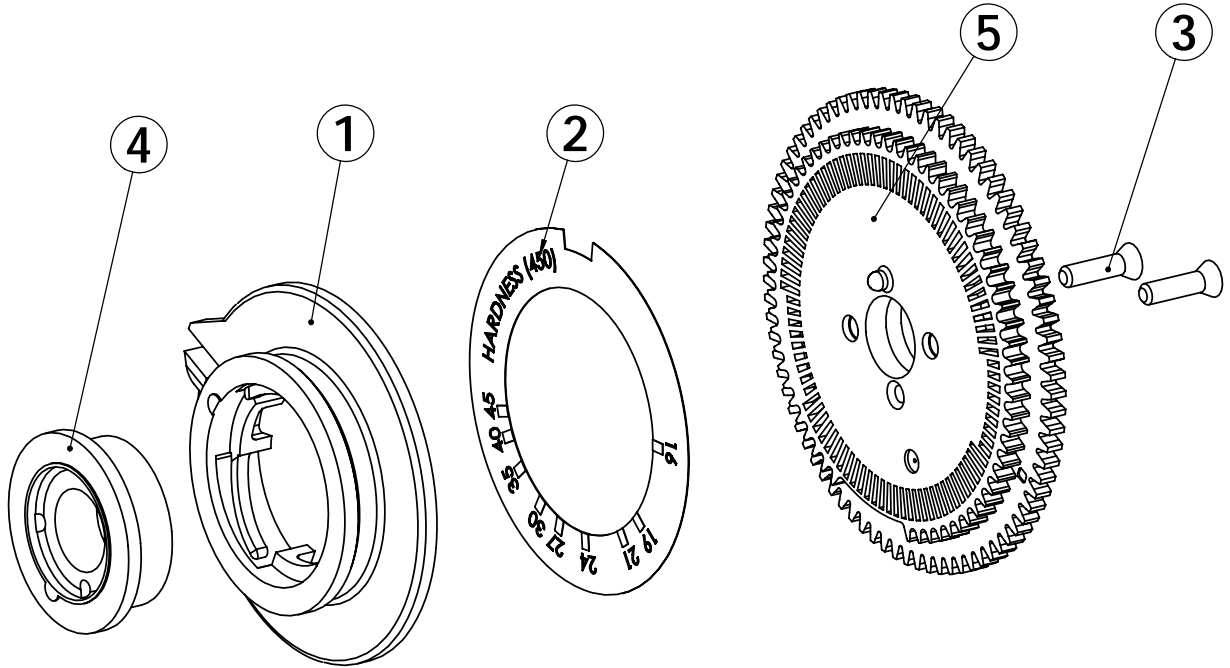


REVISIONS				
ECN	Rev.	Description	Date (dd/mm/yy)	Approved
F5288	B	OBSOLETE P/N 27823-15	22/11/10	MP
	C	Re-activated & up date the BOM in relation with SAP	15/12/10	CHT



ITEM	P/N	QTY	DESCRIPTION
1	BR15956	1	DISC, PROGRAM WHEEL ADJ
2	BU28294	1	PROGRAM WHEEL LABEL 450
3	BU13898	2	SCREW 4-24
4	BR13885	1	COVER, PROGRAM WHEEL
5	BR13803	1	GEAR,PROGRAM DRIVE WHEEL



PROGRAM WHEEL 8M3 ASSY SOFTENER 450

27823-15